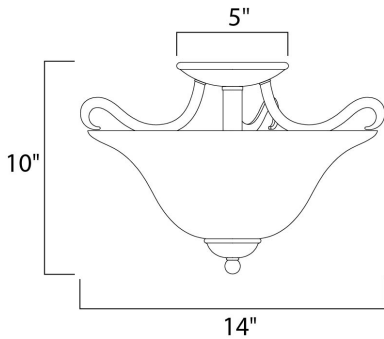




**PRODUCT DESCRIPTION**

Contemporary collection with sweeping arms and clean lines. Offered in Ice glass and Satin Nickel finish or Wilshire glass and Oil Rubbed Bronze finish.



**MEASUREMENTS**

DIMENSION : 14." W x 10." H  
 HANGING WEIGHT : 4.4 lb

**LAMPING**

INPUT VOLTAGE : 120V  
 LUMENS : 2,300 Rated (0 Del.)  
 BULB : 2 x 60W (NOT INCLUDED), 120W Total  
 DIMMABLE : Dimmable

**FINISHES OPTION**

Oil Rubbed Bronze Ol



**GLASS**

Ice IC

**MATERIAL**

Steel + Glass

**RATINGS**

cETLusDry Location  
 Dimmable



**ADDITIONAL**

INSTALL UP/DOWN:  
 RATED LIFE 2500 Hours  
 OPERATING TEMPERATURE:  
 -20°C (-4°F), 40°C (104°F)

Always consult a qualified electrician before installing any lighting product.



**WESTERN DISTRIBUTION CENTER (HEADQUARTER)**  
 253 NORTH VINELAND AVE | CITY OF INDUSTRY, CA 91746  
**EASTERN DISTRIBUTION CENTER**  
 4200 SHIRLEY DR. | ATLANTA, GA 30336  
 P. 626.956.4200 | F. 626.956.4225 | maximlighting.com