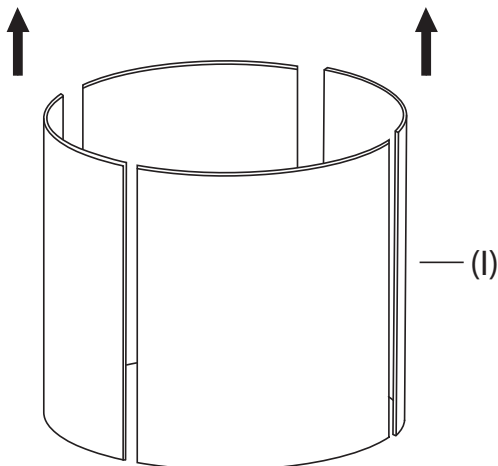
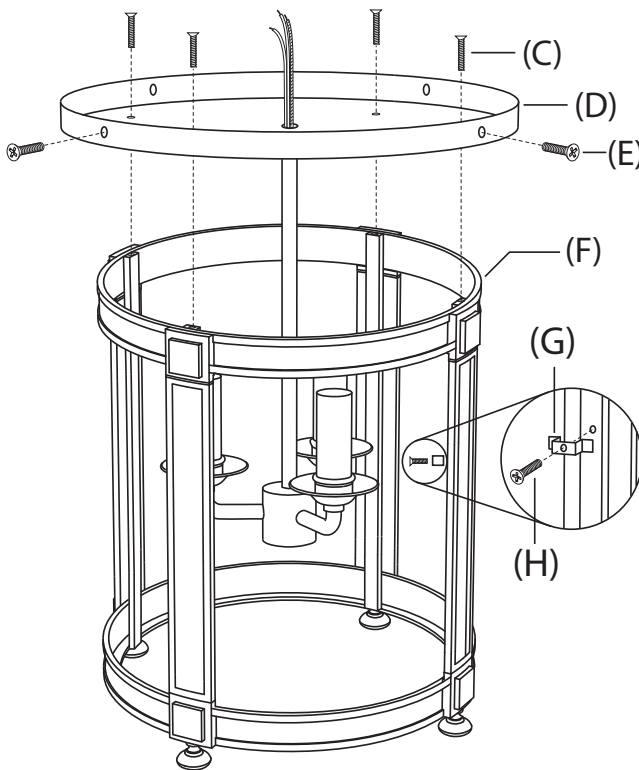
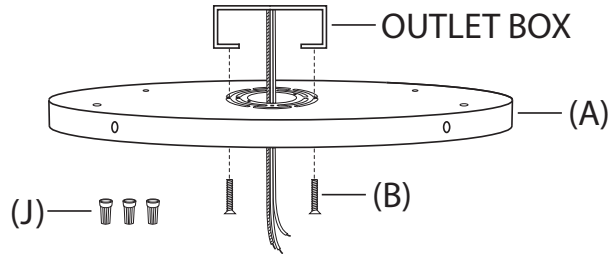


ASSEMBLY INSTRUCTIONS FOR YOUR BLAKE FLUSH MOUNT



IMPORTANT SAFETY INSTRUCTIONS:

- * This portable lamp has a polarized plug (one blade is wider than the other) as a feature to reduce risk of electric shock, this plug will fit in a polarized outlet only one way. If it does not fit fully in the outlet, reverse the plug. If it still does not fit, contact a qualified electrician.
- * Never use with an extension cord unless plug can be fully inserted. DO NOT ALTER THE PLUG.
- * Turn the power off (remove plug from wall outlet) before replacing the bulb, making sure the bulb has had sufficient time to cool down.

ASSEMBLY INSTRUCTIONS:

NOTE: Do not connect electricity until lamp is fully assembled.

1. SHUT OFF THE MAIN ELECTRICAL SUPPLY AT FUSE BOX/ CIRCUIT BREAKER.
2. Pull all parts from carton and remove packing materials.
3. Remove mounting plate (A) from canopy (D) by removing screws (E). Set canopy screws (E) aside.
4. Thread the wires exiting the ceiling outlet box and through the center hole in mounting plate (A). Affix mounting plate (A) to ceiling outlet box with mounting plate screws (B), provided.
5. Set metal shade frame (F) upright on level surface.
6. Remove canopy (D) from metal shade frame (F) by unthreading screws (C). Set canopy (D) and screws (C) aside so metal shade frame (F) stands alone.
7. Carefully slide glass shade panel (I) into metal shade frame (F).
8. To secure shade panel in place, use screw (H) to attach bracket (G) to the vertical band on metal shade frame (F). Repeat step for each glass shade panel.
9. Re-attach canopy (D) to metal shade frame (F) by threading screws (C) through the top of canopy (D), into the top of shade frame (F).
10. Lift assembled fixture to ceiling and make proper electrical connections noted in steps 11 through 13.
A LICENSED ELECTRICIAN IS RECOMMENDED.
11. Attach ground wire from fixture (green or silver in color) to ground wire from outlet box. Fasten wires together with wire nut (J) and tightly wrap connection with electrical tape.
12. Attach hot wire from fixture (black in color or smooth side of wire) to hot wire from outlet box. Fasten wires together with wire nut (J) and tightly wrap connection with electrical tape.
13. Attach neutral wire from fixture (white in color or ribbed side of wire) to neutral wire from outlet box. Fasten wires together with wire nut (J) and tightly wrap connection with electrical tape.
14. Place canopy (D) over mounting plate (A). Thread canopy screws (E) into holes in canopy (D), and mounting plate (B) to secure fixture to ceiling.
15. Insert three 60W MAX B10 Candelabra base bulbs into sockets.
16. Reconnect main electrical supply at the fuse box/ circuit breaker and test the fixture.

** To clean, use a soft cloth only. Do not use any chemical or abrasive cleaners. **