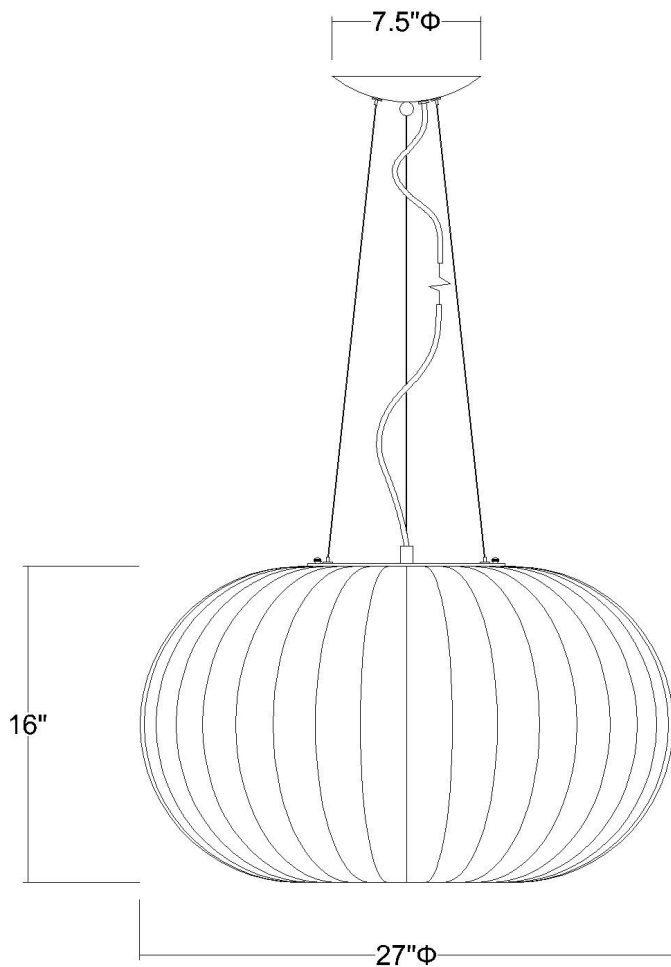


# TP7916-W SHANGHAI PENDANT



<b>Description:</b>	Shanghai pendant
<b>Finish:</b>	Brushed nickel
<b>Dimensions:</b>	27" dia. x 16" H
<b>Bulbs:</b>	1 x 150W
<b>Sockets:</b>	120V E26 base
<b>Shade:</b>	Sheer pearl ribbon
<b>Installed Weight:</b>	8.6 lbs.
<b>Certification:</b>	c UL

<b>Material:</b>	Fabric and steel
<b>Glass:</b>	NA
<b>Canopy Dimensions:</b>	7.5" dia.
<b>Mounting Holes:</b>	NA
<b>Switch:</b>	NA
<b>Cord:</b>	Silver, 12'
<b>Dimmable:</b>	Yes