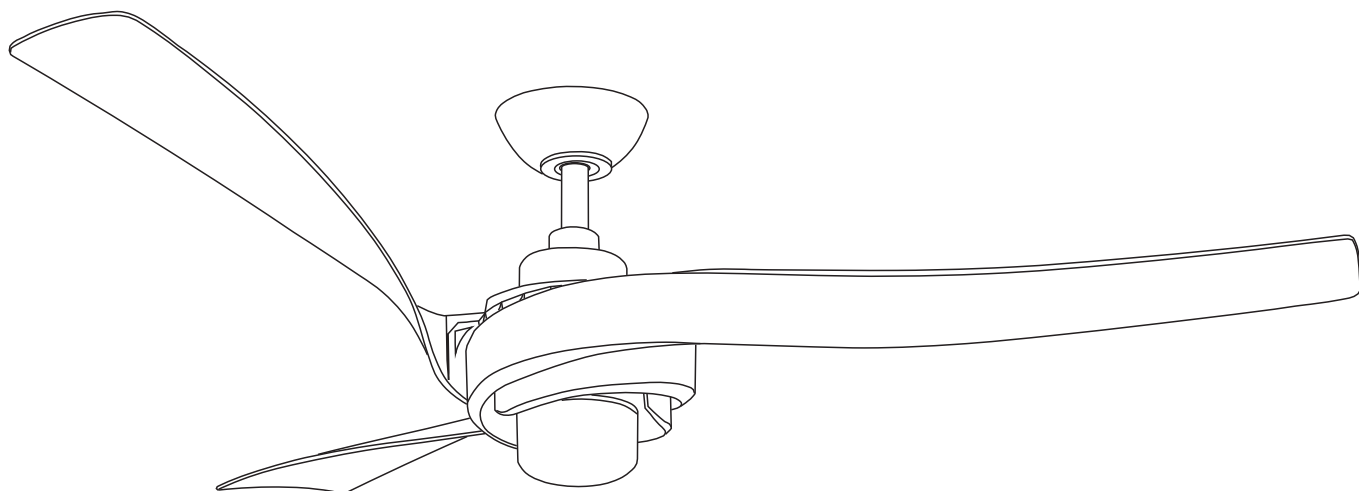




# 60" Kurve Indoor Wi-Fi Smart Ceiling Fan™

Read and save these instructions



Questions, problems, missing parts? Before returning to your retailer, call our customer service department at **855-817-WIND (9463)**  
8 a.m. - 5 p.m., EST, Monday-Friday  
E-mail: [service@windriverus.com](mailto:service@windriverus.com)




WR1804 SERIES


Speed	Volts	Amps	Watts	RPM	CFM	N.W.	G.W.	C.F.
Low	120	0.26	14.77	66	2221	7.75 kgs (17.05 lbs)	9.65 kgs (21.23 lbs)	3.327 ft.
Medium		0.39	32.37	102	3861			
High		0.56	66.82	150	5940			

**NOTE:** These are approximate measures. They do not include amps and wattage used by the light kit.

## Safety tips

1. To reduce the risk of electric shock, ensure electricity has been turned off at the circuit breaker or fuse box before beginning.
2. All wiring must be in accordance with the National Electrical Code “ANSI/NFPA 70-1999” and local electrical codes. Electrical installation should be performed by a qualified licensed electrician.
3. The outlet box and support structure must be securely mounted and capable of reliably supporting a minimum of 35 lbs. Use only UL Listed outlet boxes marked “FOR FAN SUPPORT.”
4. The fan must be mounted with a minimum of 7 ft. clearance from the trailing edge of the blades to the floor.
5. After making electrical connections, spliced conductors should be turned upward and pushed carefully up into the outlet box. The wires should be spread apart with the grounded conductor and the equipment-grounding conductor on one side of the outlet box and ungrounded conductor on the other side of the outlet box.
6. All setscrews must be checked and retightened where necessary before installation.

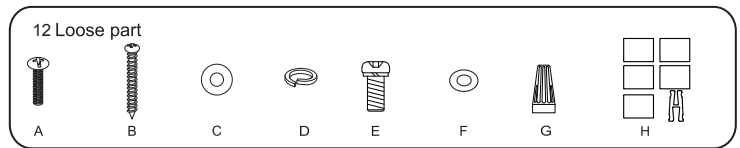
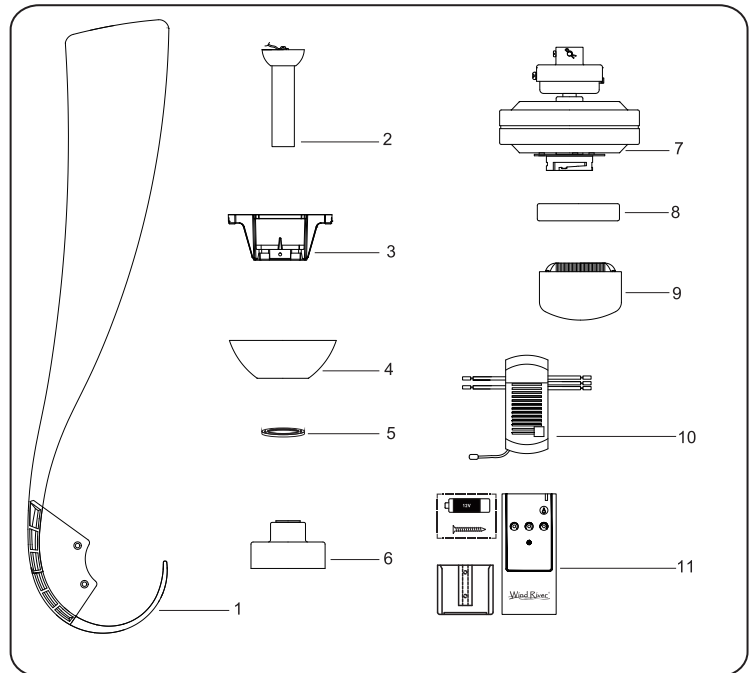
 **WARNING:** To reduce the risk of electrical shock or fire, do not use this fan with any solid-state fan speed control device. Please contact with dealer or Wind River at **855-817-WIND (9463)** if using solid-state remote.

 **WARNING:** To reduce the risk of fire, electric shock, or personal injury, mount the fan to the outlet box marked acceptable for fan support with the screws provided with the outlet box.

## Package contents

Unpack your fan and check the contents. See page 2. You should have the following items:

1. Blade (3)
2. Downrod assembly (1)
3. Mounting bracket (1)
4. Canopy (1)
5. Canopy cover (1)
6. Coupling cover (1)
7. Fan motor assembly (1)
8. Decorative light kit plate (1)
9. 14W LED assembly (1)
10. Receiver with 6 wire nuts (1)
11. Transmitter + holder + 2 mounting screws + A23 12 volt battery (1)
12. Loose parts bag containing
  - A: Machine screw (2)
  - B: Wood screw (2)
  - C: Metal washer (2)
  - D: Lock washer (2)
  - E: Blade screw (6 + 1 spare )
  - F: Metal washer (6 + 1 spare )
  - G: Wire nuts (9)
  - H: Balancing kit (1)



## Begin installation

Tools Required: Phillips screw driver; slotted screw driver; pliers; wire cutters; electrical tape.

### MOUNTING OPTIONS

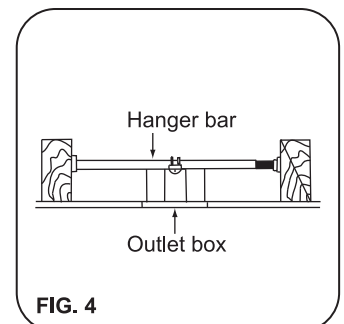
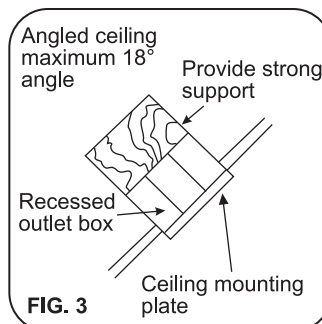
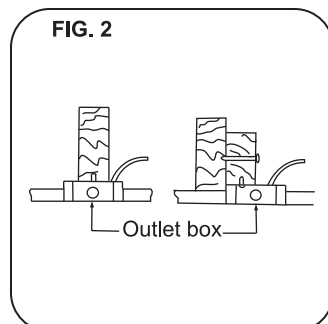
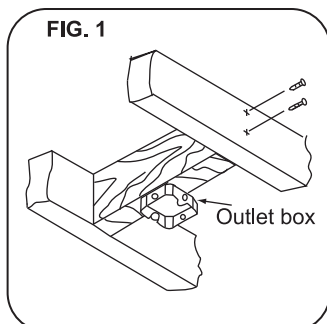
If there isn't an existing outlet box, then read the following instructions. Shut the power off at the circuit breaker or fuse box.

Secure the outlet box directly to the building structure. Use appropriate fasteners and building materials. Only use a U.L. Listed metal outlet box marked "Acceptable for ceiling fan support" to install the ceiling fan. Do not use a plastic outlet box or other device.

Figures 1,2 and 3 are examples of different ways to mount the outlet box.

Note: Please contact with dealer or Wind River at **855-817-WIND (9463)** if you need a longer downrod to maintain proper blade clearance when installing on a steep, sloped ceiling.

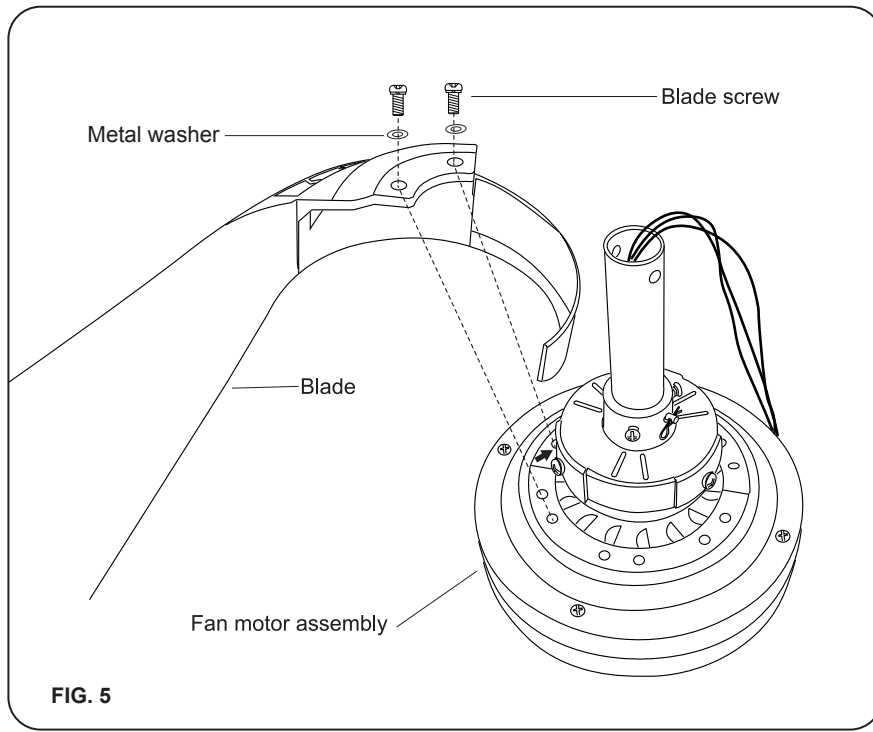
To hang your fan where there is an existing fixture but no ceiling joist, you may need to install a hanger bar as shown in Fig. 4.



## Blade installation

Pay attention to the arrow label on the motor assembly . Please start from this arrow when you align 2 holes from the blade to the fan motor assembly. Secure the blade with two blades screws and two metal washers.

Follow the same process for the remaining two blades. (Fig. 5)



## Hanging the fan

**WARNING:** Please use all of the parts hardware and components provided by Wind River. The use of other parts, hardware or components not supplied by Wind River with the fan will void the Wind River Warranty.

**REMEMBER** to turn off the power. Follow the steps below to hang your fan properly:

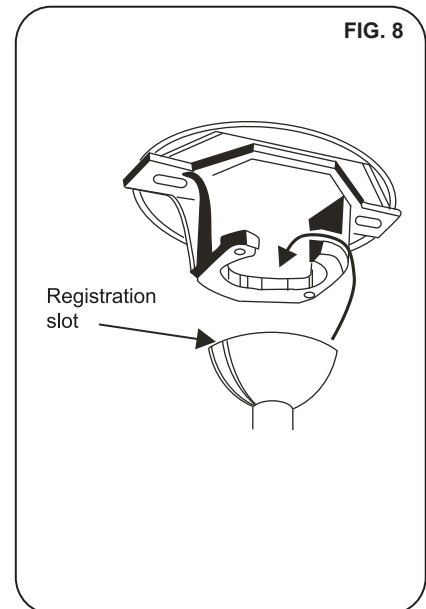
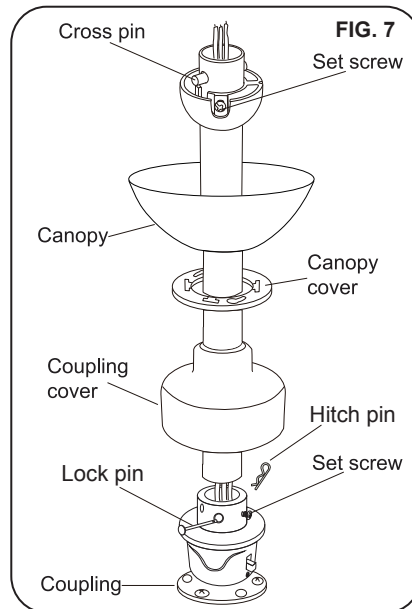
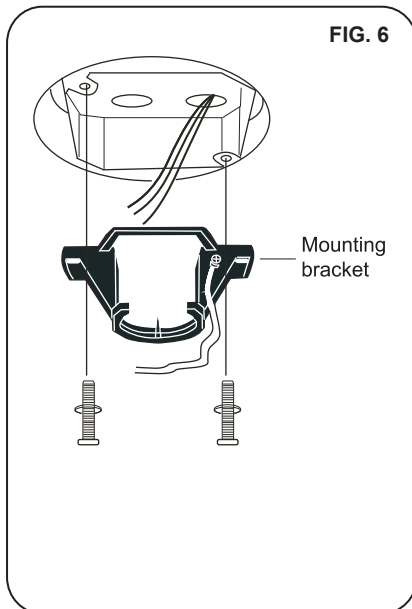
Step 1. Attach the mounting bracket to the outlet box with two screws and washers provided with the outlet box. Make sure the mounting bracket is tight and secured. (Fig.6)

Step 2. Loosen the two set screws from the fan motor assembly coupling. Remove the hitch pin and lock pin from the fan motor assembly. (Fig. 7)

Step 3. Remove the hanger ball from the downrod by loosening the hanger ball set screw, and removing the cross pin, then sliding the hanger ball off of the downrod. (Fig. 7)

Step 4. Carefully feed the fan wires up through the downrod. Thread the downrod into the fan motor assembly coupling. Line up the holes and replace the lock pin and the hitch pin. Tighten the set screws. (Fig. 7)

Step 5. Slip coupling cover, canopy cover, and canopy onto downrod (Fig.7). Carefully reinstall hanger ball onto rod being sure that cross pin is in the correct position, set screws are tighten and wires are not twisted. Step 6. Now lift motor assembly into position and place hanger ball into hanger bracket. Rotate until the check groove has dropped into the registration slot and seats firmly. (Fig. 8 ) Rod should not rotate if this is done correctly.



## Electrical connections

Step 1. Insert the receiver into the mounting bracket with the flat side of the receiver facing the ceiling. (Fig.9)

Step 2. Follow the steps below to connect the fan to your house supply wires. Secure the wire nuts supplied with your fan by wrapping the connections with electrical tape. (Fig.10)

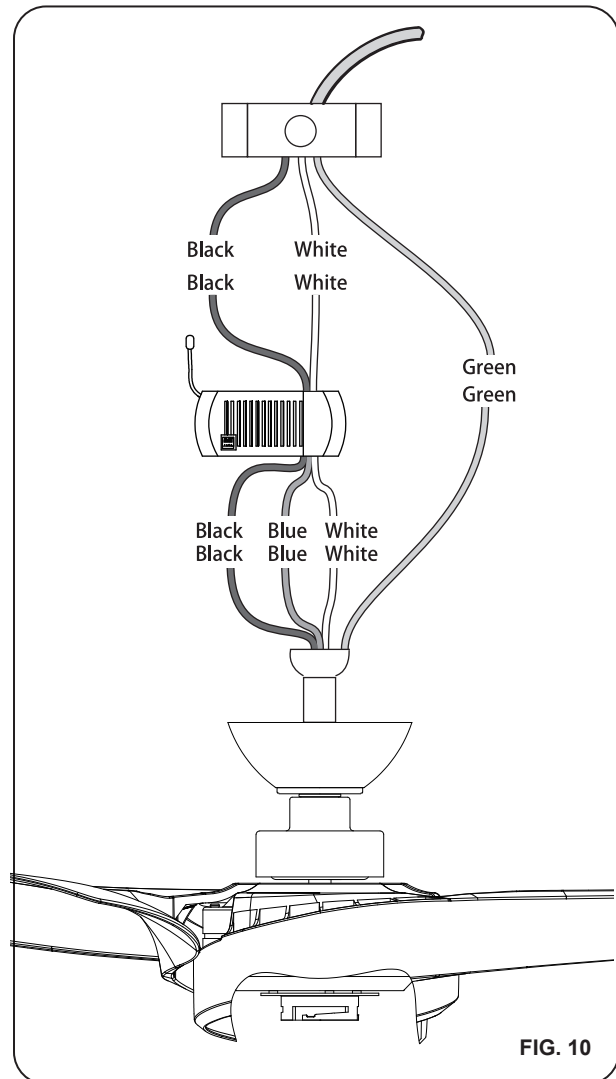
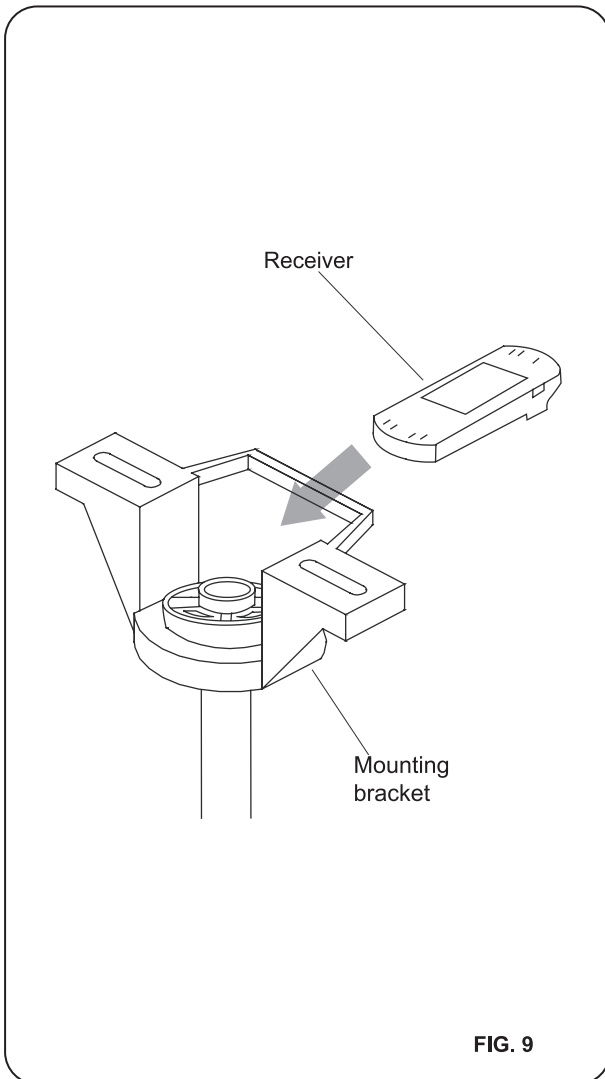
Motor to receiver electrical connections:

- Connect the black wire from the fan to the black wire marked "TO MOTOR L" from the receiver.
- Connect the white wire from the fan to the white wire marked "TO MOTOR N" from the receiver.
- Connect the blue wire from the fan to the blue wire marked "For Light" from the receiver.

Receiver to house supply wires electrical connections:

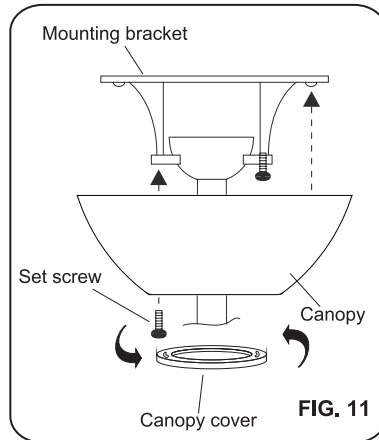
- Connect the black (hot) wire from the ceiling to the black wire marked "AC in L" from the receiver.
- Connect the white (neutral) wire from the ceiling to the white wire marked "AC in N" from the receiver.
- Connect the ground wire (green or bare copper) from outlet box to the ground wire of hanging ball and the ground wire of mounting bracket.

Step 3. Secure the wire connection with a plastic wire nut provided with the electrical hardware. After connecting the wires, spread them apart so that the green and white wires are on one side of the outlet box and the black and blue wires are on the other side. Carefully tuck the wire connections up into the outlet box.



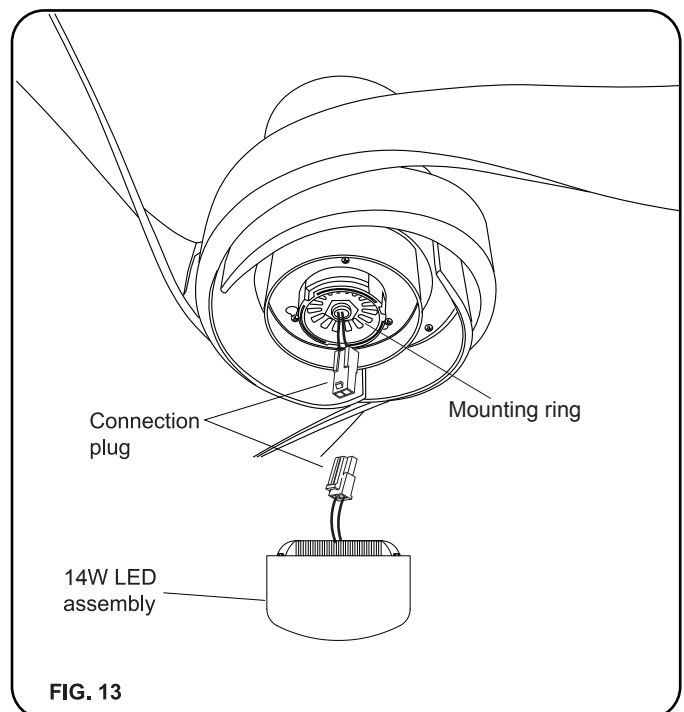
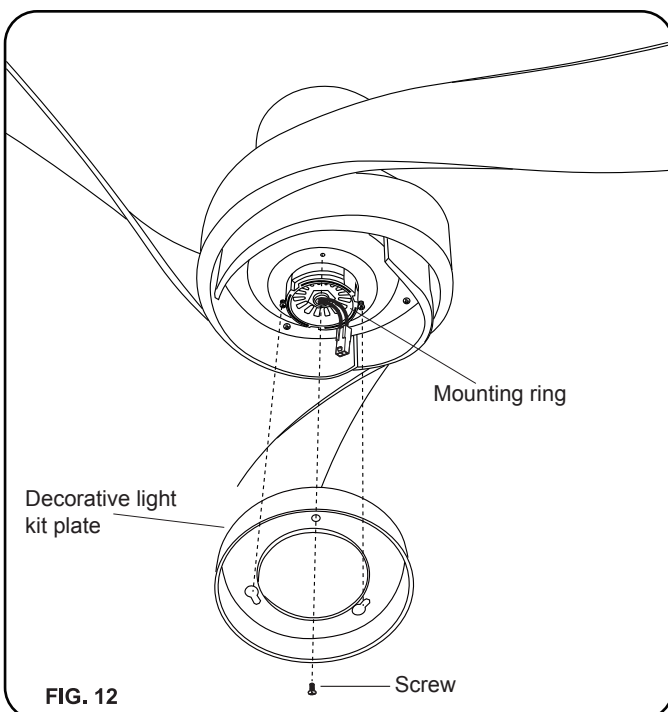
## Finishing the installation

- Step 1. Remove one screw from the mounting bracket and loosen the other screw approximately 1/4 turn.
- Step 2. Carefully raise the canopy up to the mounting bracket, and ensure the loosened screw is inserted into the key hole on the canopy. Rotate the canopy clockwise. (Fig. 11)
- Step 3. Secure the canopy by replacing the screw previously removed and tightening the screw previously loosened. (Fig. 11)
- Step 4. Place the canopy cover on the canopy, and rotate the canopy cover clockwise until it locks into position. (Fig. 11)



## Installing the light kit

- Step 1. Remove 1 of 3 screws from the mounting ring and loosen the other 2 screws. (Do not remove.) (Fig.12)
- Step 2. Place the key holes from the decorative light kit plate over the 2 screws previously loosened from the mounting ring, turn the decorative light kit plate until it locks in place at the narrow section of the key holes. Secure by tightening the 2 screws previously loosened and the one previously removed. (Fig.12)
- Step 3. While holding the 14W LED assembly under your fan, firmly snap the wire connection plugs together. (Fig.13)
- Step 4. Attach the 14W LED assembly to the mounting ring by twisting tightly. (Fig.13)



## Programming the remote


Note: The system is equipped with a learning frequency function which has 16 code combinations to prevent potential interference from other remote units. The frequency on your receiver and transmitter units have been preset at the factory. No frequency change is necessary, should you desire to install another fan within the same home or area with a separate frequency code. please kindly see below instruction manual to learn how to change the frequency.



Install a A23,12 Volt battery(included.)To prevent damage to transmitter remove the battery if not used for long periods of time.

Step 1: Turn the power off to your ceiling fan.

Step 2: Please use a small size tool to change the frequency settings on the control system.

Step 3: Return power to the unit.

**Note:** After the AC power is on, do not press any other button on the transmitter before pressing the "  " button; doing so will cause the procedure to fail.

Setp 4: Within 60 seconds of turning the Fan's AC power ON. Press the transmitter's "  " button and hold the "  " button for 5 seconds.

Setp 5: Once the receiver has detected the set frequency, the down light of your fan will blink twice and the fan will begin to rotate for a short period and then shut off.

Setp 6: The receiver has now learned the frequency which has been selected on the transmitter. After completing the steps above, you should be able to operate the ceiling fan and light. If the fan is not responding to the transmitter, please turn the power off to the receiver, and repeat the process.

Dimmer function :

Set code labeled "1" means "Dimmer".

Set code labeled "ON" means "it is only on/off, NO DIM".

The set code has been preset to "1" which means "Dimmer"at the factory.

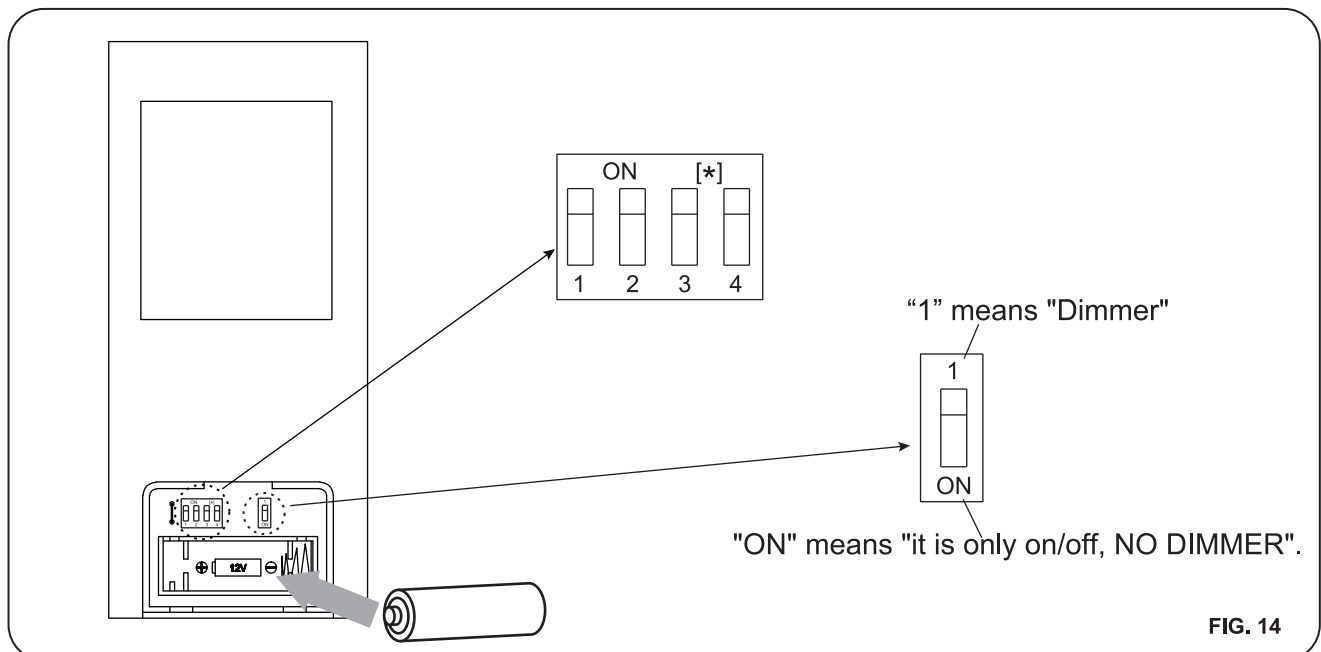





FIG. 14



## Operating the transmitter

a. “”, “” and “” buttons:


These three buttons are used to select the fan speed.


Press and release the button of the desired speed setting:

 = Lowest speed

 = Medium speed

 = Highest speed

b. “” button: This button will turn the light on or off and will also control the brightness setting. Press and release the button and the light will turn on or cycle continuously between bright and dim settings as long as the button is held down. The light key has auto resume, it will stay at the same brightness as the last time it was turned off.

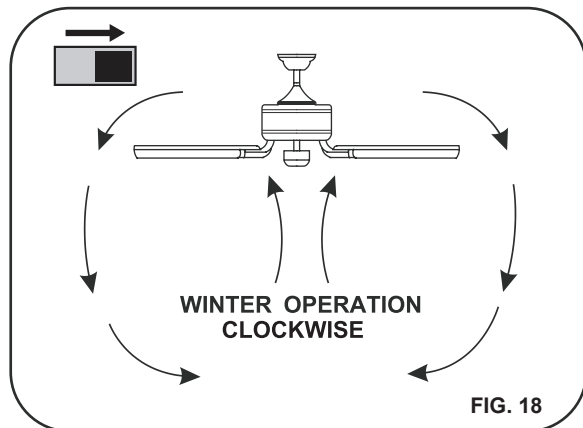
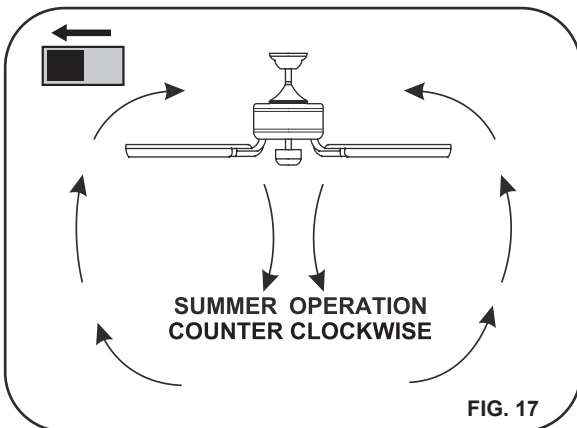
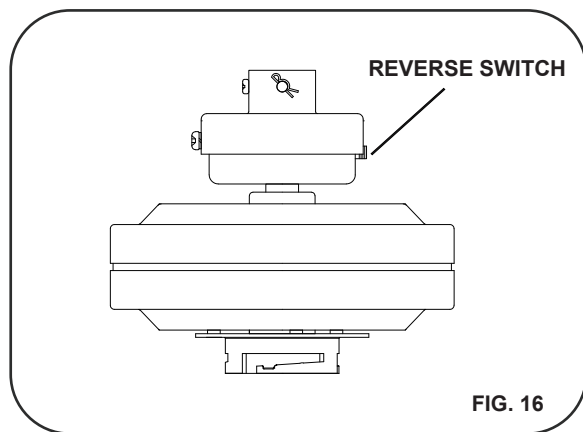
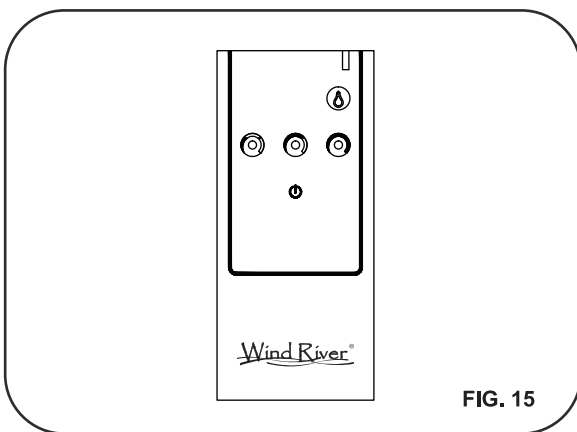
c. “” button: This button will turn the fan off.

The Reverse switch is located on fan motor assembly (Fig.16). Slide the switch to the Left for warm weather operation. Slide the switch to the Right for cool weather operation.

NOTE: Wait for fan to stop before changing the setting of the slide switch.

Warm weather - (Counterclockwise Direction) A downward air flow creates a cooling effect. This allows you to set your air conditioner on a higher setting without affecting your comfort.

Cool weather - (Clockwise Direction) An upward air flow moves warm air off the ceiling. This allows you to set your heating unit on a lower setting without affecting your comfort.



## Connect your smart fan to BOND

After testing all operations of the ceiling fan and remote control, you are now ready to connect your smart fan to the BOND HOME APP. Download the BOND HOME APP using the Google Play or Apple Play Store and follow the prompts given.

## Care and Cleaning

Check the support connections, brackets, and blade attachments twice a year. Ensure they are secure. Because of the fan's natural movement, some connections may become loose over time. It is not necessary to remove the fan from the ceiling.

Clean your fan periodically. Use only a soft brush or lint-free cloth to avoid scratching the finish. The plating is sealed with a lacquer to minimize discoloration or tarnishing.

(Optional) Apply a light coat of furniture polish to the wood blades.

(Optional) Cover small scratches with a light application of shoe polish.

Do not use water when cleaning. Water could damage the motor, or the wood, or possibly cause an electrical shock.

Do not apply oil to your fan or motor. The motor has permanently-lubricated sealed ball bearings.

## Troubleshooting

Problem	Solution
The fan will not start.	Check main and branch circuit fuses or breakers.
	Check line wire connections to the fan and switch wire connections in the switch housing.
The fan sounds noisy.	Make sure all motor housing screws are snug.
	Make sure the screws that attach the fan blade arm to the motor hub are tight.
	Make sure wire nut connections are not rattling against each other or the interior wall of the switch housing.
	Allow a 24-hour "breaking-in" period. Most noises associated with a new fan disappear during this time.
	If using the ceiling light kit, make sure the screws securing the glassware are tight. Check that the light bulb is also secure.
	Make sure there is a short distance from the ceiling to the canopy. It should not touch the ceiling.
The fan wobbles.	Make sure your ceiling box is secure and rubber isolator pads are used between the mounting bracket and outlet box.
	Check that all blade and blade arm screws are secure.
	Most fan wobble problems are caused when blade levels are unequal. Check this level by selecting a point on the ceiling above the tip of one of the blades. Measure from a point on the center of each blade to the point on the ceiling. Rotate the fan until the next blade is positioned for measurement. Repeat for each blade. Measurements deviation should be within 1/8 in. Run the fan for 10 minutes.
	Use the enclosed blade balancing kit if the blade wobble is still noticeable.



**Questions, problems, missing parts?** Before returning to your retailer, call our customer service department at **855-817-WIND (9463)**  
 8 a.m. - 5 p.m., EST, Monday-Friday  
 E-mail: [service@windriverus.com](mailto:service@windriverus.com)