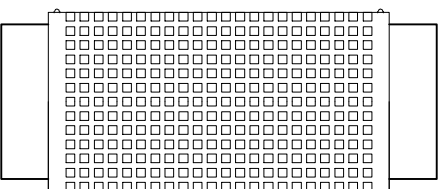


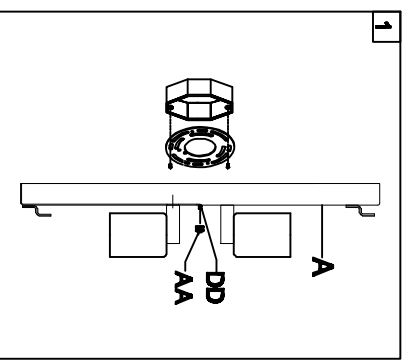
Trade Mark:
CRYSTAL WORLD INC

Product Name: Wall lamp
Model :5209W6
120Vac, 60Hz,AC ONLY
Lamp size:W6"XH16"XE3"



WALL LAMP ASSEMBLY INSTRUCTIONS

1. Place fixture(A) onto mounting screws (DD), secure with cap nuts (AA).

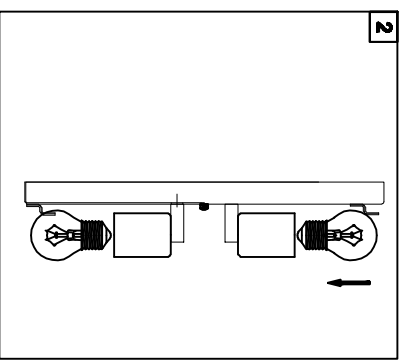


Hardware Used

AA Cap nut	⊖	X 2
DD Mounting screw	⌚	X 2

3. Install light bulbs (not included).

Use bulb
120V E26 2*60W Max.



3. Please fix (A) with (B).

