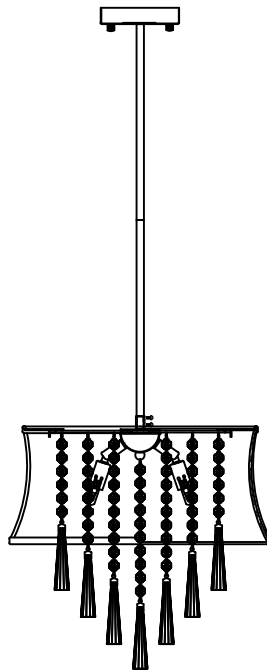


Trade Mark:
CRYSTAL WORLD INC

Product Name: Pendant lamp
Model :5532P16C
120Vac, 60Hz,AC ONLY
Lamp Size:Ø16"*H15"-H79"

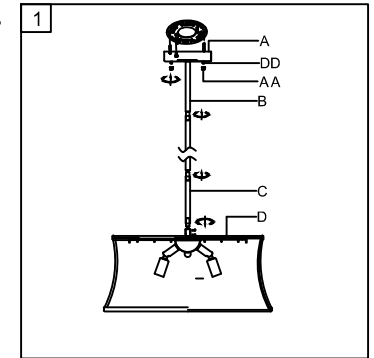


PENDANT LAMP ASSEMBLY INSTRUCTIONS



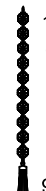
1. Place fixture(A) onto mounting screws (DD), secure with cap nuts (AA). Please fix (A) with (B), (B) with (C), (C) with (D).

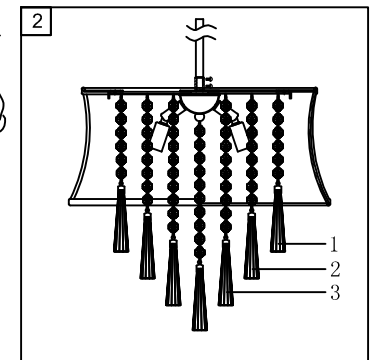
Hardware Used


AA Cap nut  X 2
DD Mounting screw  X 2



2. Please hang the crystal (1) (2) (3) to the fixture .

1	2	3
		
14mm* 6PCS	14mm* 8PCS	14mm* 10PCS
95mm* 1PCS	95mm* 1PCS	95mm* 1PCS
12PCS	8PCS	5PCS



3. Install light bulbs (not included).
Use bulb  4*40W Max.

