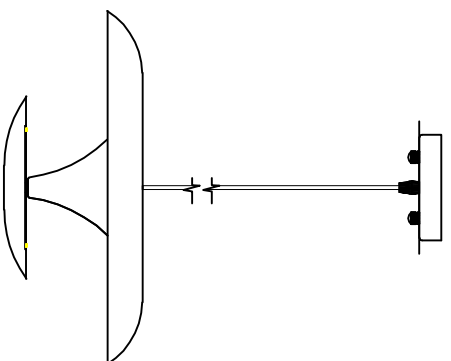


Trade Mark:  
**CRYSTAL WORLD INC**

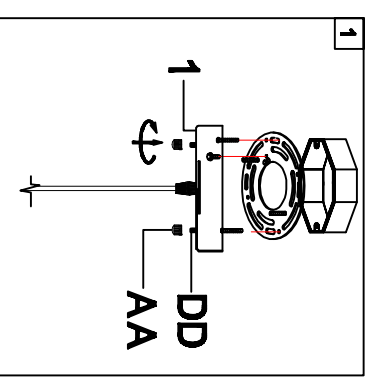
**Product Name: Pendant lamp**  
**Model :7102P16-1-104**  
**120Vac, 60Hz,AC ONLY**  
**Lamp Size:D16\*\*H6\*\*~H133"**



  
C US  
Intertek  
4006677

## Pendant LAMP ASSEMBLY INSTRUCTIONS

1. Place fixture (1) onto mounting screws (DD). Secure with Cap nut (AA).



### Hardware Used

AA Cap nut  X 2

DD Mounting screw  X 2

3. Install lighting bulbs ( not included).

USE 120V LED 15W Max.  
DIMMABLE (3000K)

