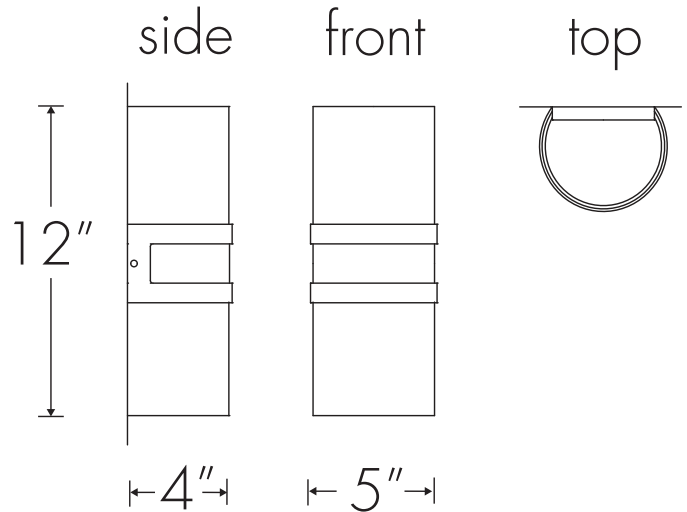


ULTRALIGHTS



PROFILES 9707-12

Complies with Americans with Disabilities Act

Base Specifications:

12"h x 5"w x 4"d

03: Incan - 2 x E12 Candelabra - 60W max ea

Opal Acrylic Diffuser

ADA

Notes:

Horizontal mounting available*

02 / 04 Lamping: Wattage and Lumens - Initial at the source

9707-12	-		-		-	
MODEL		FINISH		DIFFUSER		LAMPING

*Modifications:

Horizontal mounting

Other Modifications:

BA - Bronze Age
 BK - Black
 BP - Black Pearl
 CB - Cast Bronze
 CH - Chestnut
 CR - Chrome
 DI - Dark Iron
 EB - Empire Bronze
 MB - Medieval Bronze
 NB - New Brass
 SB - Smokey Brass
 SP - Satin Pewter
 SS - Smoked Silver

OA - Opal
 PREMIUM
 CO - Caramel Onyx
 FA - Faux Alabaster
 TS - Tea Stained
 WS - White Swirl

02: Wet Loc LED - 8.4W - 1181 Lumens
 (Dim w/ Std Phase Dim) - 120V
 (Non-Dim or Dim w/ 0-10V Dim system) - Universal
 03: Dry / Damp Loc Incan - 2 x E12 Candelabra
 60W max ea - 120V
 04: Dry / Damp Loc LED - 9.38W - 1444 Lumens
 (Non-Dim or Dim w/ 0-10V Dim system) - Universal

COLOR TEMPERATURE / CRI

3000K (Standard) - CRI available upon request
 2700K - CRI available upon request
 3500K - CRI available upon request
 4000K - CRI available upon request

Project Name:
 Project Location:

Specifier Name:
 Specifier Location:

Quantity:
 Fixture Type:

WWW.ULTRALIGHTSLIGHTING.COM