



BAYTOWN II SOLAR HANGING LIGHT WITH GS LED SOLAR BULB

US Patent # 7172307

US Patent # 9458970

Instruction Manual

Model: GS-105B-CX



Visit our website or download the latest version of your instruction manual:

www.gamasonic.com or www.gamasonic.com/user-guides

Introduction

Thank you for your purchase. **GAMA SONIC®** solar charged accent lighting eliminates the problems associated with most solar lighting available today. **GAMA SONIC®** solar charged lights are brighter and last all night with a typical solar charge. Unique design, superior light output and numerous installation options confirm the outstanding value of our products.

GAMA SONIC® has been recognized as a worldwide leader in the lighting industry for over 20 years. The company also offers unique multipurpose rechargeable products that range from party lights to emergency lighting products.

For technical assistance and more information, call our Toll-Free number:

1-800-835-4113 (only within the U.S.) or visit our website at:

www.gamasonic.com.

WARNING: GAMA SONIC® Light bulbs are built and designed for Gama Sonic products only. They are not designed to be used in other electrical sockets.

For the same reason, regular AC and/or Low Voltage bulbs cannot be used in Gama Sonic products.

Please read the instruction manual carefully to obtain the best results from your purchase.

1. Solar Light Location

For optimum light duration throughout the night, it is very important to place the solar panel in a spot where it can receive the maximum amount of direct sunlight throughout the day.

NOTE: In some cases, the batteries would come empty out of the box. Let the solar light charge for two sunny days in the “ON” position for the batteries to get fully charged.

2. Assembly Instructions:

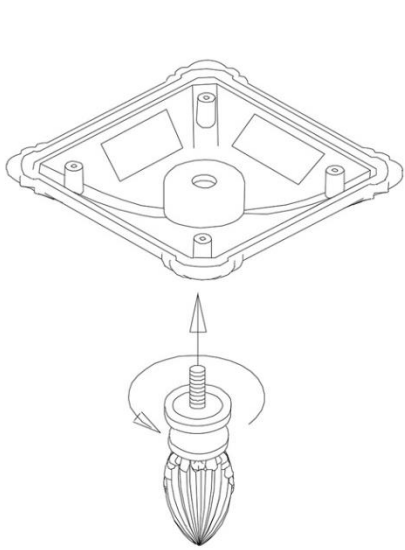


Fig.1

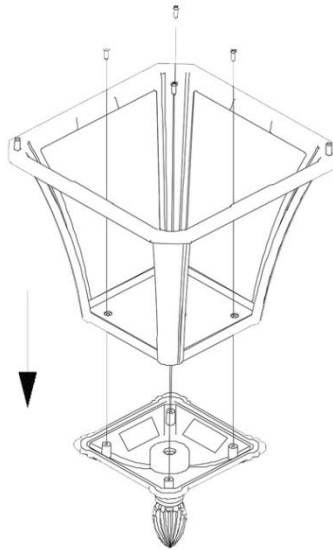


Fig.2

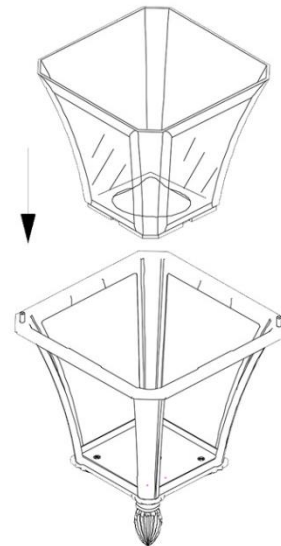


Fig.3

1. Screw the finial to the lamp base **[Fig.1]**
2. Connect the lamp fixture to the base using 4 screws **[Fig.2]**
3. Slide the lens into the lamp fixture **[Fig.3]**
4. Install the GS Solar LED Bulb to the light cap **[Fig 4]**

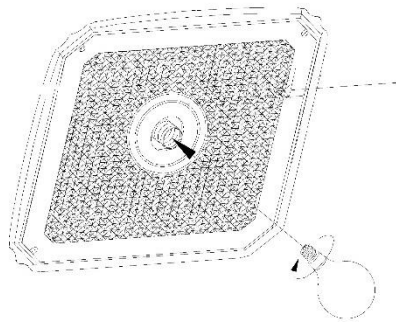


Fig.4

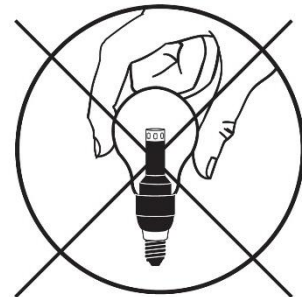


Fig.5

NOTE:

When installing the GS Solar LED Bulb, hold it from its silver base not by the glass **[Fig 5]**

5. Install the light cap to the lamp fixture **[Fig.6]**

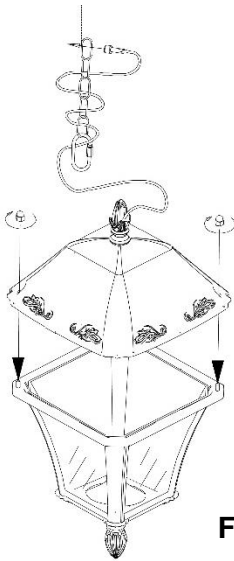


Fig.6

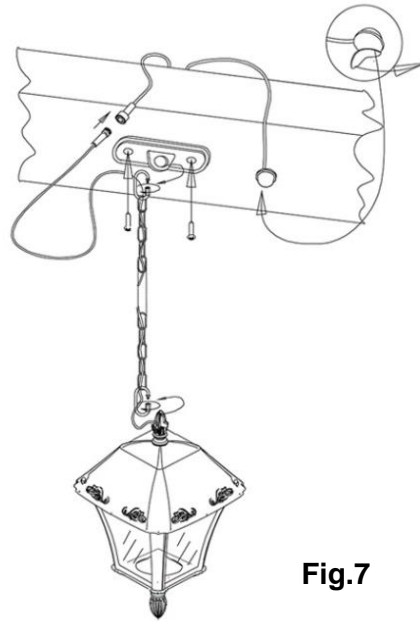


Fig.7

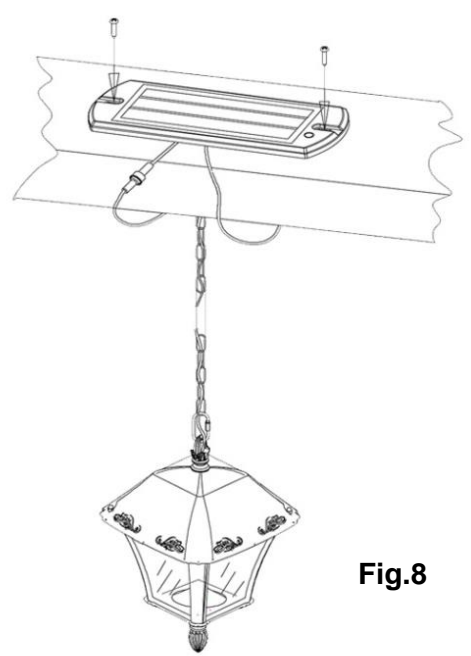


Fig.8

6. Install the ceiling mounting bracket at the desired location **[Fig.7]**

NOTE: Before installing the solar panel, make sure to switch the On/Off switch to the ON position, located under the solar panel.

7. Install the solar panel in a position where it will be exposed to the sun, make sure the wire can reach the lamp **[Fig.8]**.

8. Connect the wires together and tighten it firmly to avoid water getting inside the connection.

9. Place the Remote-Control Sensor on the underside of the location for the solar panel, where it can be exposed for clear operation.

Install by peeling the adhesive cover and attaching it to the surface.

[Fig.9]

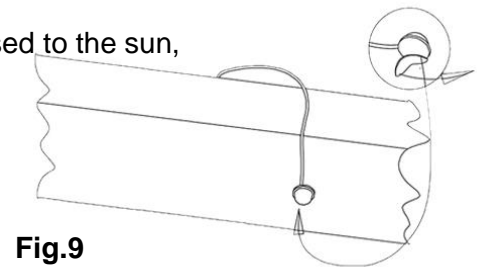


Fig.9

10. Hang the remote-control case using one screw. The remote-control slides in and out from the bottom, see **[Fig.10]** for more details.

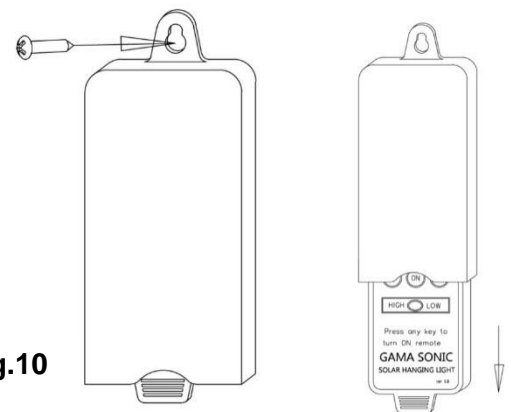


Fig.10

4. Remote Control / Operation Instructions:

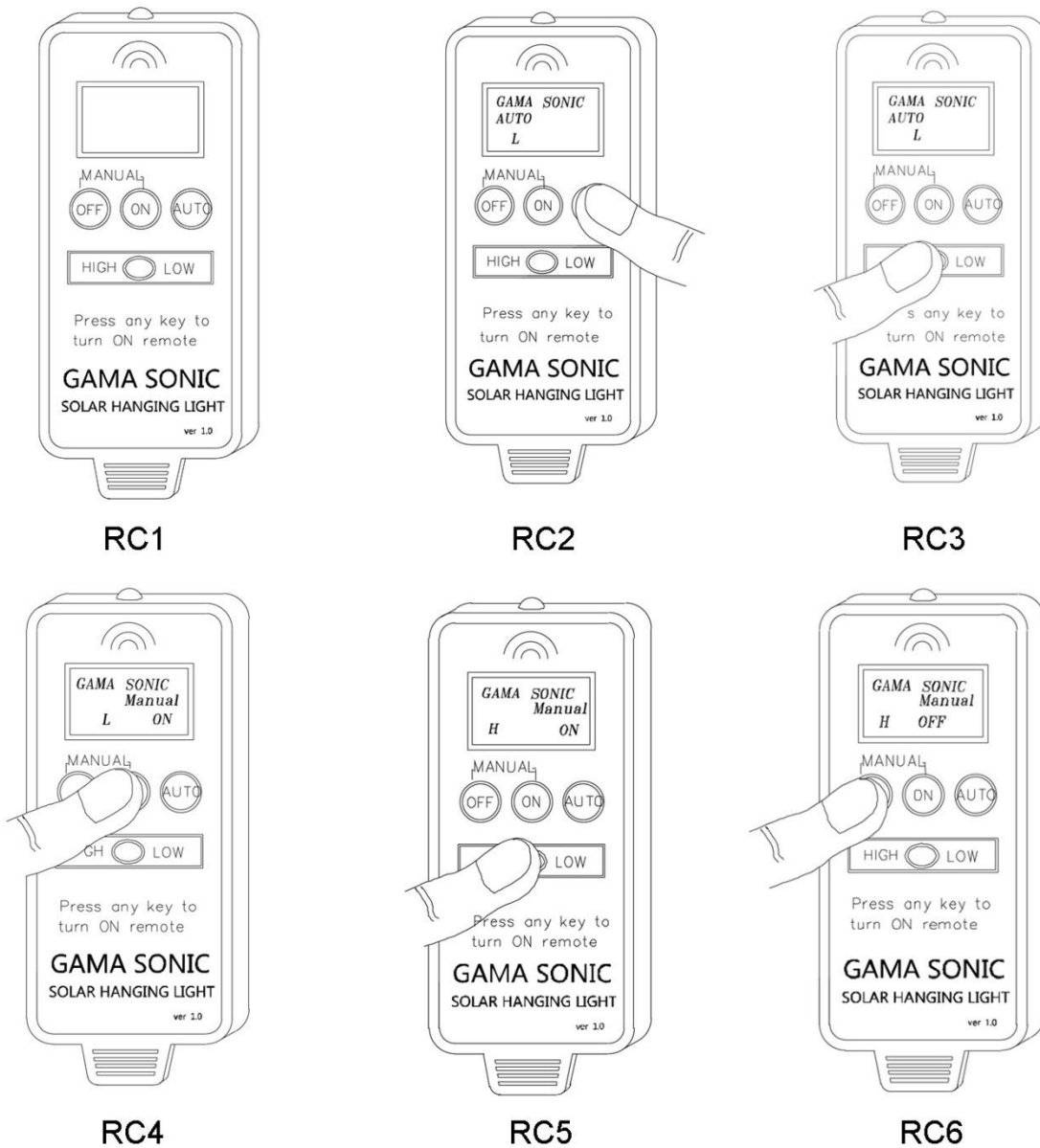


Fig.11

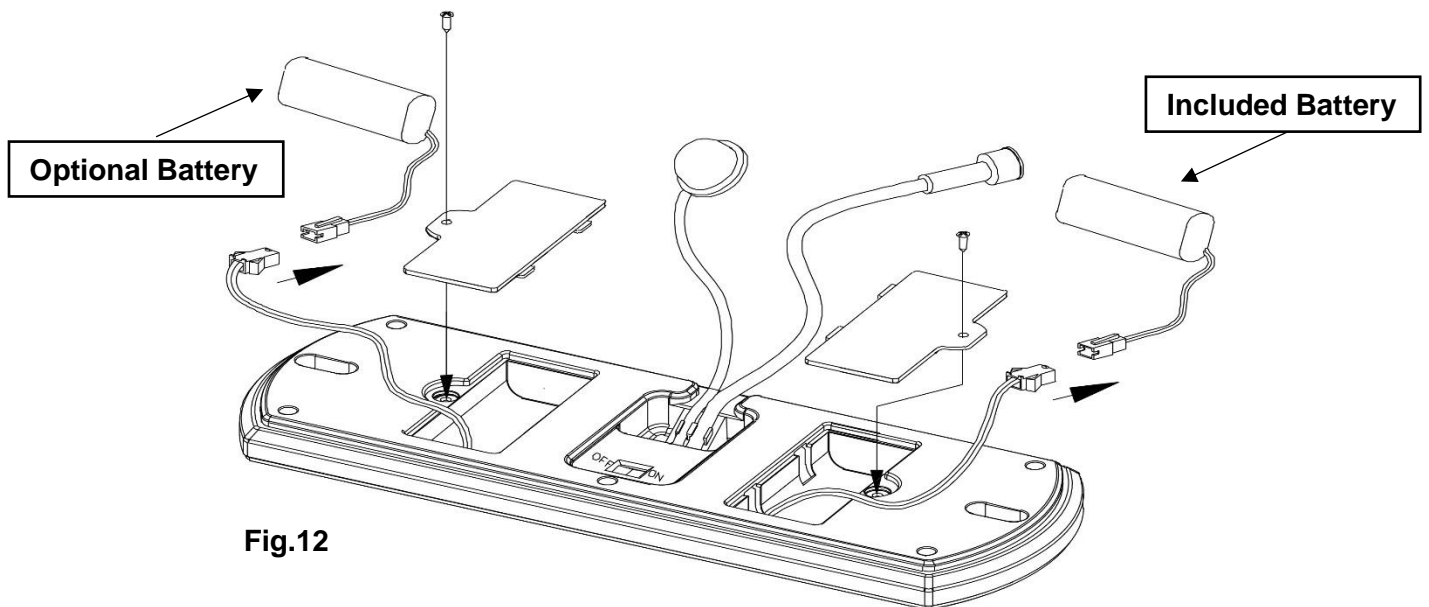
1. Click any key to turn the remote-control ON
2. Use **Auto** mode for automatic *dusk-to-dawn* operation
3. Use **Manual** mode to turn the light On and Off as desired.
4. On both modes, you can choose between High and Low brightness settings.
5. The remote-control power will turn OFF automatically

5. MAINTENANCE:

- Clean the solar panel regularly with a damp towel to guarantee optimum performance. Do not use any type of solvent for cleaning and be careful not to put too much pressure on the solar panel while cleaning.

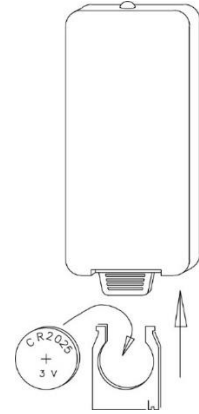
a. Replacing the Solar Panel Batteries

- After several years of use, the battery may need replacing.
 - This product comes with two battery compartments, and one battery installed. If your solar panel is exposed to the sun for more than 4 hours a day, you can choose to add another battery, the second battery will extend the light duration, especially on cloudy days. It will not change the brightness of the lamp.
1. Detach the solar panel and flip it over.
 2. Unscrew the battery compartment screws located on the back if the solar panel and remove the compartment door (**Fig.12**)
 3. Unclip the connector and remove the old battery. Make sure the new battery is a Gama Sonic - **3.2V/3,000mAh**, Li-ion Rechargeable Battery with a connector.
 4. Clip on the new battery and install it into the battery compartment. Screw back the battery compartment door.



b. Replacing the Remote-Control Battery

- After several years of use, the battery may need replacing.
 1. Slide the remote-control out of its case.
 2. Pull the battery compartment out and replace the battery.
Make sure to use Lithium coin cell battery: **CR2025**.
- This battery is available at any hardware/convenience store



**** Gama Sonic batteries are available at www.gamasonic.com**

You can purchase it directly at: <https://gamasonic.com/product-category/parts-and-accessories/>
. Make sure the new battery is a [Gama Sonic - 3.2V/3,000mAh](#), Li-ion Rechargeable Battery with a connector.

**** Gama Sonic Bulbs are available at www.gamasonic.com**

You can purchase it directly at: <https://gamasonic.com/product-category/parts-and-accessories/>
Make sure the new bulb you purchase is compatible with this model (A60 bulb)

WARNING: Do not dispose of Li-Ion battery in the regular trash, municipal waste stream or by fire as batteries may leak or explode. Do not open, short circuit or mutilate batteries as injury may occur. Preserve our environment by recycling Li-Ion batteries or disposing of them in accordance with local, state and federal regulations. Do not mix old and new batteries.

TROUBLE SHOOTING:

1. Make sure that the solar lamp is not being affected by any other light source.
2. Check the On/Off switch is turned ON, located under solar panel fixture.
3. Make sure the remote-control is operating correctly (should beep on any click) and is pointed to the remote-control sensor.
4. Check the light using **Manual** mode, the light should turn ON during the day.

NOTE: The performance of the solar lamp will vary with the time of year. It will deliver more light when it has had a full day in the sun rather than a day in overcast weather.

WINTERTIME TIPS: For optimal performance, be sure to remove any snow or debris accumulation from solar panel(s). Solar panels free of debris will charge the batteries much more efficiently.

WARNING: Please keep out of reach of children.

