

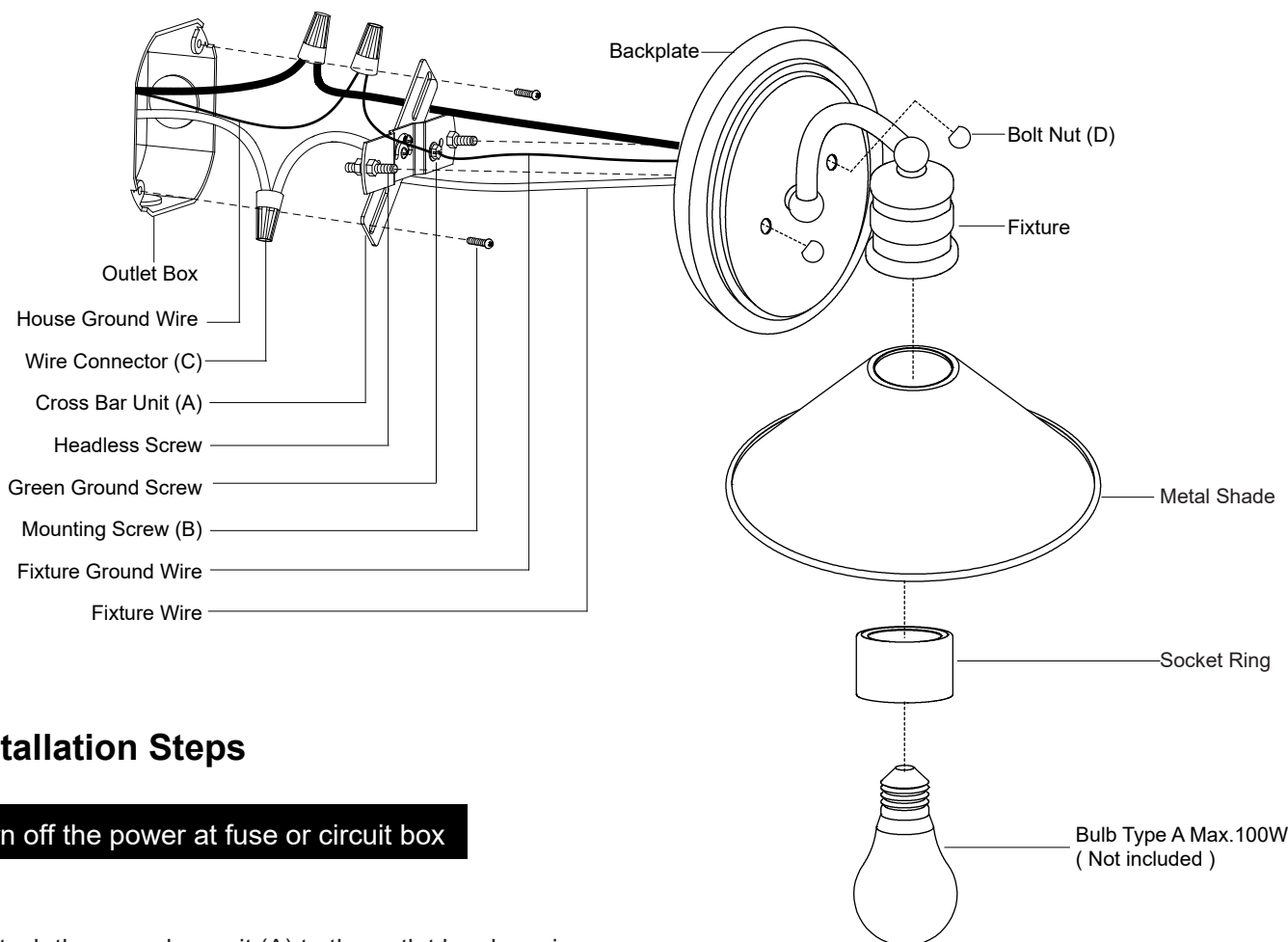
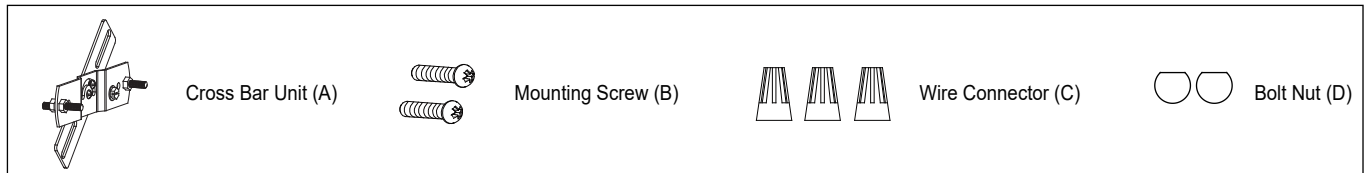
# ASSEMBLY AND INSTALLATION INSTRUCTIONS

W0375

**WARNING:** TO AVOID RISK OF ELECTRICAL SHOCK, BE SURE TO SHUT OFF POWER BEFORE INSTALLING OR SERVICING THIS FIXTURE.

**NOTES:** 1. Before installing, consult local electrical codes for wiring and grounding requirements.  
2. READ AND SAVE THIS INSTRUCTION.

## Hardware Package (included):



## Installation Steps

Turn off the power at fuse or circuit box

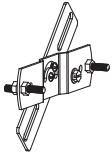
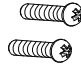
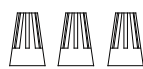

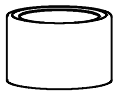
1. Attach the cross bar unit (A) to the outlet box by using two mounting screws (B).
2. Pull out the source wires from the outlet box. Make wire connections using wire connectors (C) as follows:
  - Connect the hot wire (black insulation) from the fixture to the black wire from the power source.
  - Connect the neutral wire (white insulation) from the fixture to the white wire from the power source.
  - Attach the fixture ground wire (bare wire) to the cross bar unit (A) with the green ground screw. Then, depending on local code, connect it to the house ground wire with the wire connector (C).Carefully put all the wires back into the outlet box.

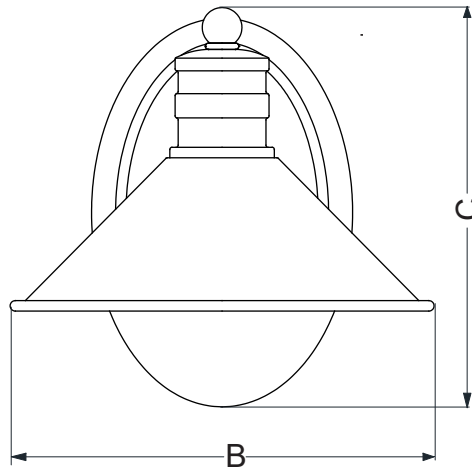
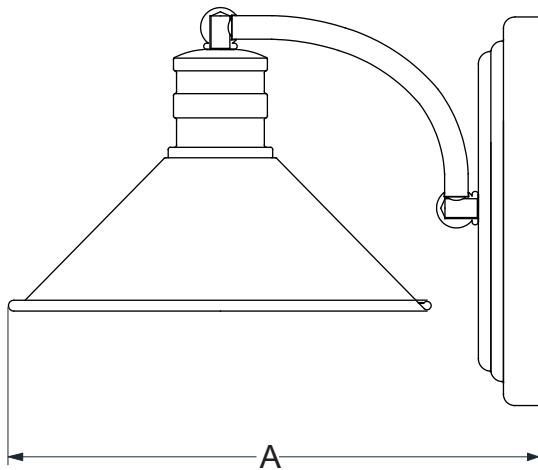
3. Attach the backplate to the cross bar unit (A) by inserting the headless screw, then secure it with the two bolt nuts (D) .
4. Attach the metal shade onto the fixture and tighten it with the socket ring.
5. Install 1X100W Max medium base bulb (not included). See relamping label at socket area or packaging for maximum wattage allowed.

**Turn on the power at fuse or circuit box**

**The following parts are available for re-order if damaged or missing.**

**Spare Parts List:**

				Assembly Kit 6297MM (1SET)   Socket Ring 5906SR
Cross Bar Unit (A)	Mounting Screw (B)	Wire Connector (C)	Bolt Nut (D)	



- A: 10"
- B: 8"
- C: 7-1/4"