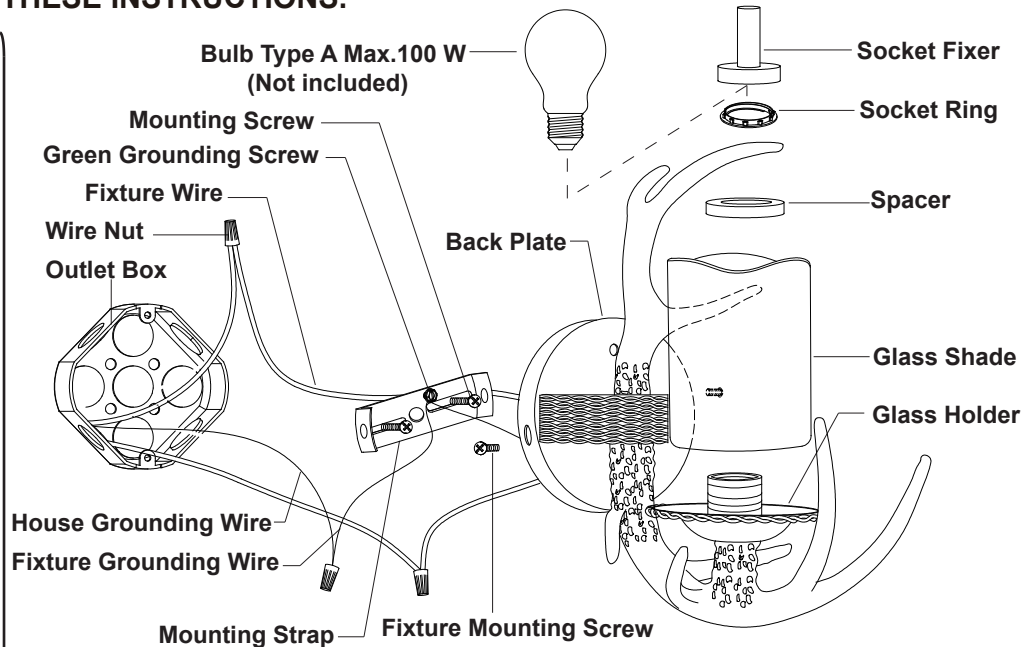
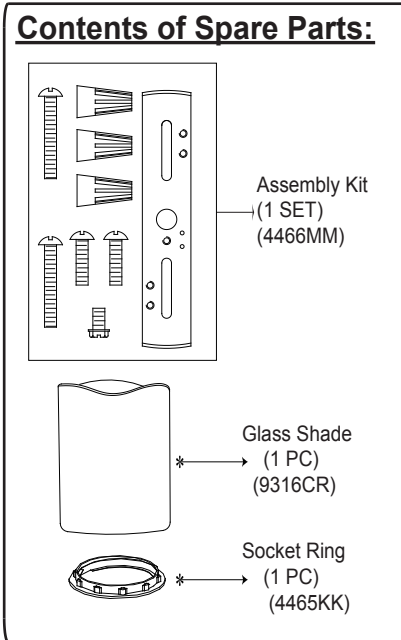


ASSEMBLY AND INSTALLATION INSTRUCTIONS

W0032

WARNING: BE SURE TO SHUT OFF POWER AT THE MAIN FUSE OR CIRCUIT BREAKER BOX BEFORE INSTALLING OR SERVICING THIS FIXTURE.

**NOTE: 1. Before installing, consult local electrical codes for wiring and grounding requirements.
2. READ AND SAVE THESE INSTRUCTIONS.**



1. Attach the mounting strap to the outlet box by using two mounting screws.
2. Pull out the outlet wires and the house grounding wire from the outlet box. Make wire connections using the wire nuts:
 - Connect the black wire from the fixture to the black wire from the power source.
 - Connect the white wire from the fixture to the white wire from the power source.
 - Attach the fixture grounding wire to the mounting plate with the green grounding screw. Then connect it to the house grounding wire with a wire nut.Carefully put the wires back into the outlet box.
3. Attach the back plate to the mounting strap by aligning holes, secure the fixture mounting screw from the one hole of the back plate into the hole in the one side of the mounting strap. Then secure the fixture mounting screw from the another hole of the back plate to the another side of the mounting strap.
4. Attach the glass shade onto the glass holder, secure it with the spacer and socket ring. using supplied socket fixer.
5. Install a bulb (not included). See relamping label at socket area or packaging for maximum allowed wattage.
6. Turn on the power at the main fuse or circuit breaker box.