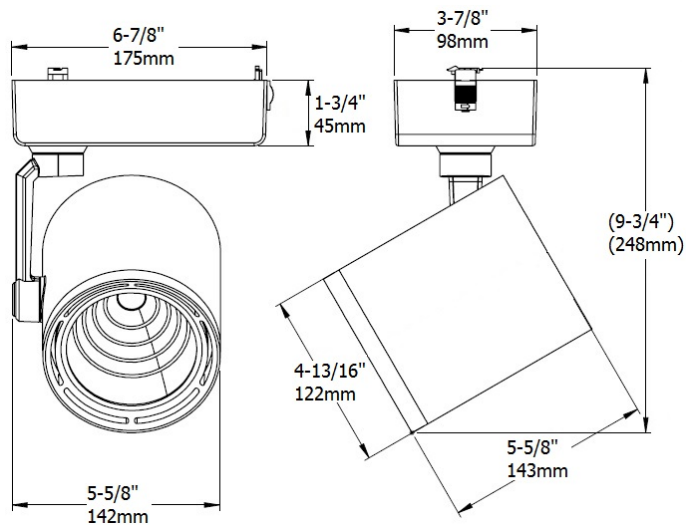
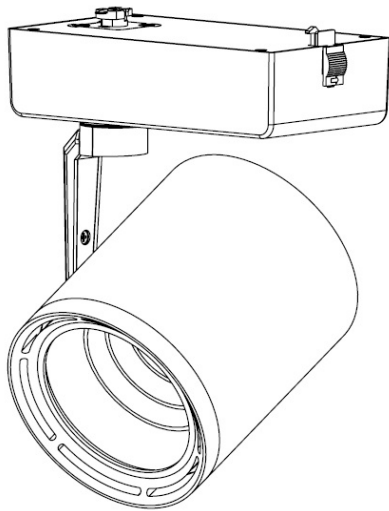




L516L

120V LED TRACK LUMINAIRE

Type	
Project	
Catalog No.	



DESCRIPTION

Line voltage LED track fixture suitable for retail, commercial and hospitality general lighting, accent and display applications.

CONSTRUCTION

Complete die-cast construction.
No exposed wiring.
Powder coat paint.
330° horizontal, 90° vertical aim adjustment.

MOUNTING

Provides electrical and mechanical connection to track.

ELECTRICAL

Input 120VAC 50/60Hz
Input Power 49W
Efficacy 77 lm/W
Power Factor >0.9
Dimming 5%, refer to recommended dimmers list
TRIAC (forward-phase or leading edge)
ELV (reverse-phase or trailing-edge)

LED

CCT 2700K, 3000K, 3500K, 4000K
CRI 80 (2700K, 3000K, 3500K, 4000K)
90 (2700K, 3000K, 4000K)
97 (2700K, 3000K)

Color Control 3-step MacAdam ellipse
Refer to *Color Code Selection Guide* for available selections.

Luminous Flux 3773 lm @ 3000K, 80CRI

Optics

Ordered Separately. Field Changeable.

RFL516L-SP Narrow (18°)
RFL516L-FL Medium (42°)
RFL516L-WF Wide (60°)

Passive thermal management provides silent operation to yield over 70% lumen maintenance for a minimum of 50,000 operation hours in 25°C (77°F) ambient.

LABELS

cETLus Listed

WARRANTY

5 Years

ORDERING INFORMATION

SYSTEM	SERIES	Color Code		FINISH
		CCT	CRI	
H2 = Jesco H1 Track or Halo ¹ Power-Trac	L516L	27 – 2700K	80 – 80	B – Black
L2 = Jesco L Track or Lightolier ² Lytespan Track		30 – 3000K	90 – 90	W – White
J2 = Jesco J1, J2 or Juno ³ Trac-Master		35 – 3500K	97 – 97	
		40 – 4000K		
	L516L			

Reflector Options (Ordered Separately. Field Changeable)

RFL516L-SP Narrow
RFL516L-FL Medium
RFL516L-WF Wide

Notes:

¹Halo is a registered trademark of Cooper Lighting.

²Lightolier is a registered trademark of Philips Lighting.

³Juno is a registered trademark of Juno Lighting.



www.jescolighting.com
support@jescolighting.com
Tech Support: 855.592.0029

15 Harbor Park Drive
Port Washington, NY 11050
Main Line: 800.527.7796
Fax Line: 855.265.5768

219 South 6th Ave
City of Industry, CA 91746
Main Line: 855.654.0110
Fax Line: 626.333.2955

Specifications subject to change without notice.

7/1/2015

Page 1



L516L

120V LED TRACK LUMINAIRE

Type	
Project	
Catalog No.	

COLOR CODE SELECTION GUIDE

CCT	CRI	Color Code
2700K	80	2780
	90	2790
	97	2797

CCT	CRI	Color Code
3000K	80	3080 [§]
	90	3090
	97	3097

CCT	CRI	Color Code
3500K	80	3580

CCT	CRI	Color Code
4000K	80	4080 [§]
	90	4090

§QuickShip

RECOMMENDED DIMMERS

Manufacturer	Model	Manufacturer	Model	Manufacturer	Model
Cooper ¹	DLC03P	Lutron	SELV-300P	Leviton ³	IPI06-1LZ
	DAL06P		TG-600P		IPE04
	SLC03P		LG-600P		VPE06
Lutron ²	S-603PG		S-600P		6683-IW
	DVCL-153P		MAELV-600		6161
	DV-600P		FAELV-500		6633-P
	TGCL-153P	DVELV-303P	Lightolier ⁴	ZPE260QEW	

JESCO recommends testing your unique dimming configuration as the exact application may affect dimming performance.

APPLICATION DATA

CCT Correction Factor

CCT	CRI	Factor
2700K	80	0.95
	90	0.74
	97	0.52

CCT	CRI	Factor
3000K	80	1.00
	90	0.78
	97	0.58

CCT	CRI	Factor
3500K	80	1.03

CCT	CRI	Factor
4000K	80	1.04
	90	0.88

Notes and Definitions:

Beam spread is to 50% center beam candlepower (CBCP).

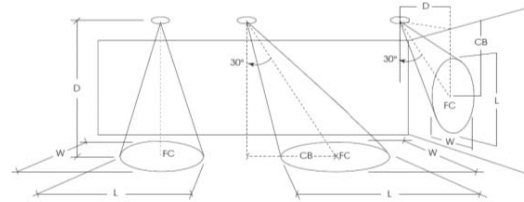
D = Distance to floor or wall.

FC = Footcandles on floor or wall at center beam aiming location.

L = Effective Visual Beam length in feet (50% of maximum footcandle level).

W = Effective Visual Beam width in feet (50% of maximum footcandle level).

CB = Distance across or down to center beam location.



	0° Aiming Angle Horizontal Footcandles				30° Aiming Angle Horizontal Footcandles					30° Aiming Angle Vertical Footcandles					60° Aiming Angle Vertical Footcandles				
	D	FC	L	W	D	FC	L	W	CB	D	FC	L	W	CB	D	FC	L	W	CB
NARROW 18° CBCP = 18,888	5.0'	752	1.6	1.6	5.0'	491	2.1	1.8	2.9	3.0'	262	4.1	1.9	5.2	3.0'	1363	1.3	1.1	1.7
	7.5'	334	2.3	2.3	7.5'	218	3.2	2.7	4.3	4.0'	148	5.5	2.5	6.9	4.0'	767	1.7	1.5	2.3
	10.0'	188	3.1	3.1	10.0'	123	4.3	3.7	5.8	5.0'	94	6.9	3.2	8.7	5.0'	491	2.1	1.8	2.9
	12.5'	120	3.9	3.9	12.5'	79	5.3	4.6	7.2	6.0'	66	8.2	3.8	10.4	6.0'	341	2.6	2.2	3.5
MEDIUM 42° CBCP = 6,754	5.0'	270	3.8	3.8	5.0'	175	5.4	4.4	2.9	3.0'	94	16.5	4.6	5.2	3.0'	487	3.2	2.7	1.7
	7.5'	120	5.7	5.7	7.5'	78	8.1	6.6	4.3	4.0'	53	22.0	6.1	6.9	4.0'	274	4.3	3.5	2.3
	10.0'	68	7.6	7.6	10.0'	44	10.8	8.9	5.8	5.0'	34	27.5	7.7	8.7	5.0'	175	5.4	4.4	2.9
	12.5'	43	9.6	9.6	12.5'	28	13.5	11.1	7.2	6.0'	23	33.0	9.2	10.4	6.0'	122	6.5	5.3	3.5
WIDE 60° CBCP = 4,372	5.0'	174	5.7	5.7	5.0'	114	8.7	6.7	2.9	3.0'	61	n/a	6.9	5.2	3.0'	316	5.2	4.0	1.7
	7.5'	77	8.6	8.6	7.5'	50	13.0	10.0	4.3	4.0'	34	n/a	9.2	6.9	4.0'	177	6.9	5.3	2.3
	10.0'	44	11.4	11.4	10.0'	28	17.3	13.3	5.8	5.0'	22	n/a	11.5	8.7	5.0'	114	8.7	6.7	2.9
	12.5'	28	14.3	14.3	12.5'	18	21.7	16.7	7.2	6.0'	15	n/a	13.9	10.4	6.0'	79	10.4	8.0	3.5

Notes:

- ¹Cooper is a registered trademark of Cooper Industries
- ²Lutron is a registered trademark of Lutron Electronics, Inc.
- ³Leviton is a registered trademark of Leviton Mfg. Co., Inc.
- ⁴Lightolier is a registered trademark of Philips Lighting.



www.jescolighting.com
support@jescolighting.com
Tech Support: 855.592.0029

15 Harbor Park Drive
Port Washington, NY 11050
Main Line: 800.527.7796
Fax Line: 855.265.5768

219 South 6th Ave
City of Industry, CA 91746
Main Line: 855.654.0110
Fax Line: 626.333.2955

Specifications subject to change without notice.

7/1/2015

Page 2