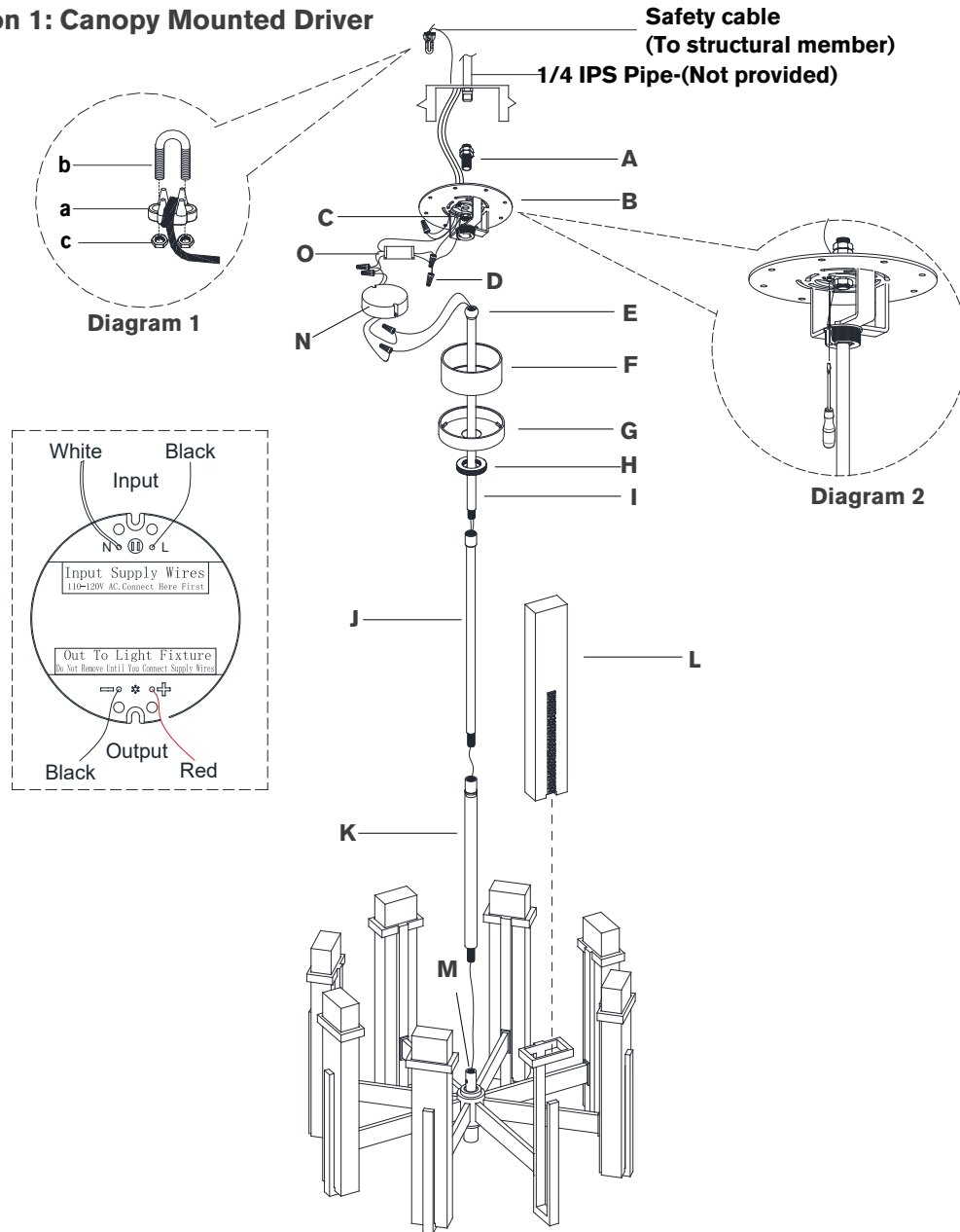


ASSEMBLY INSTRUCTIONS

Option 1: Canopy Mounted Driver



Malik Medium Chandelier

Item # S 5911

NOTICE:

This light fixture should be installed in accordance with all applicable, local installation codes, and by a person familiar with the construction and operation of it, as well as the hazards involved. Inspect item and contents carefully. If any damage or defect is found, do not install. Retain all packaging material until installation is complete and approved.

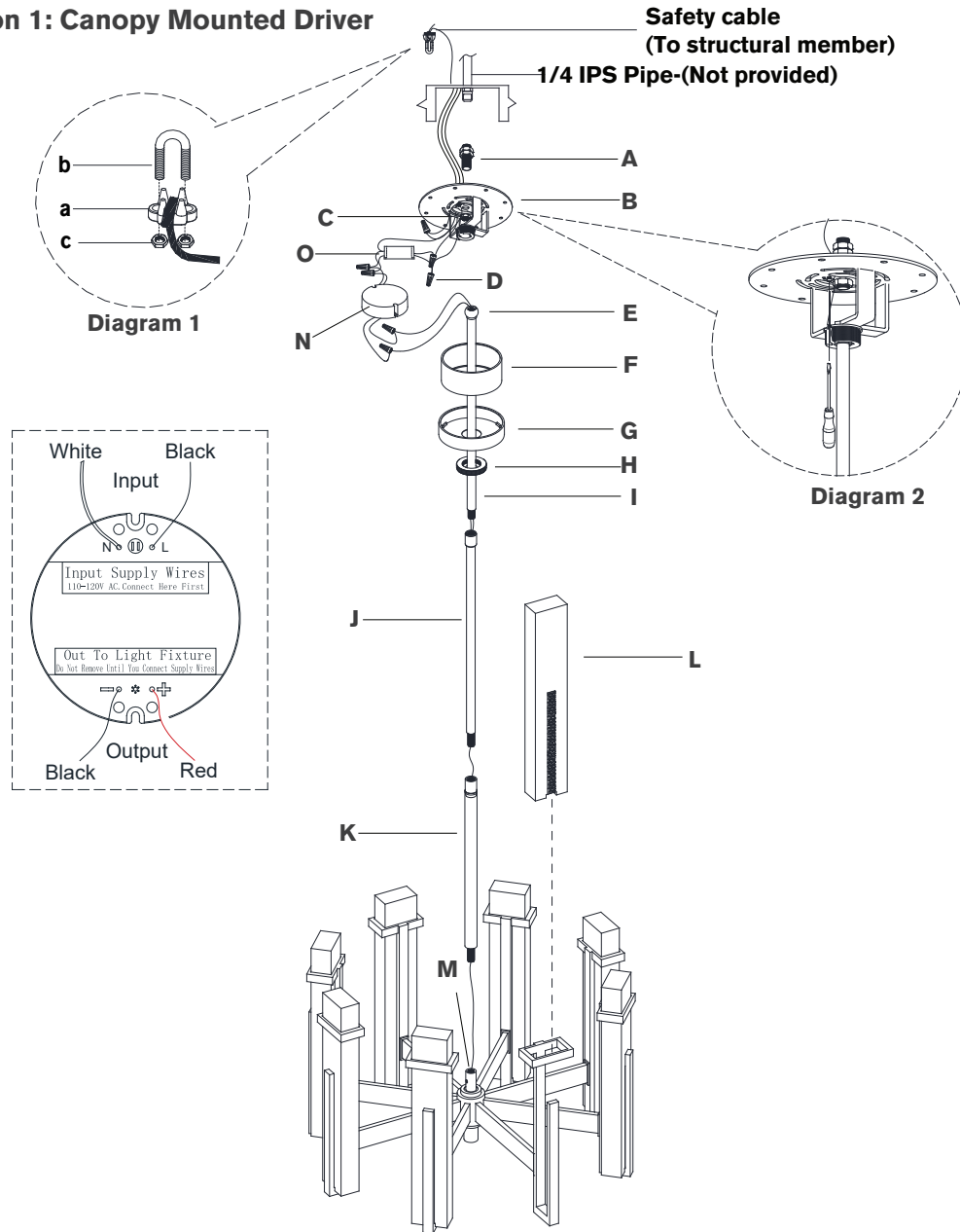
TOOLS REQUIRED (NOT INCLUDED):

Phillips Screwdriver	Slotted Screwdriver	Wire Cutters
Wire Strippers	Slip Joint Pliers	

- Carefully remove all parts from the box. Place on a clean, soft surface.
- It is recommended to install a 1/4 IPS threaded pipe, secured to a structural member of the building (not included). Then install threaded nipple (A) into receiver and tighten with wrench.
NOTE: Item must be supported independent of the junction box due to hanging weight.
- Feed supply wires through the slot of mounting plate (B), Then install mounting plate (B) to threaded nipple (A) and secure with hex nut (C).
- Feed fixture wires and safety cable through stem (K) and connect to fixture body (M).
- Feed fixture wires and safety cable through bottom rod (J) and connect to stem (K).
- Continue feeding fixture wires and safety cable through collar ring (H), canopy (G), driver housing (F) and top rod (I).
- Holding fixture upright, slide collar ring (H) and canopy (G), and driver housing (F) down stem (K) and rest on fixture body (M). Then connect top rod (I) to bottom rod (J).
NOTE: Slide components down slowly to avoid damages.
- Hang fixture swivel ball (E) to the center of mounting plate (C).
- Cut excess wires, being sure to leave enough length to reach the junction box.
NOTE: Separate black and red wires, and strip insulation on each 5/8".

ASSEMBLY INSTRUCTIONS

Option 1: Canopy Mounted Driver



Malik Medium Chandelier

Item # S 5911

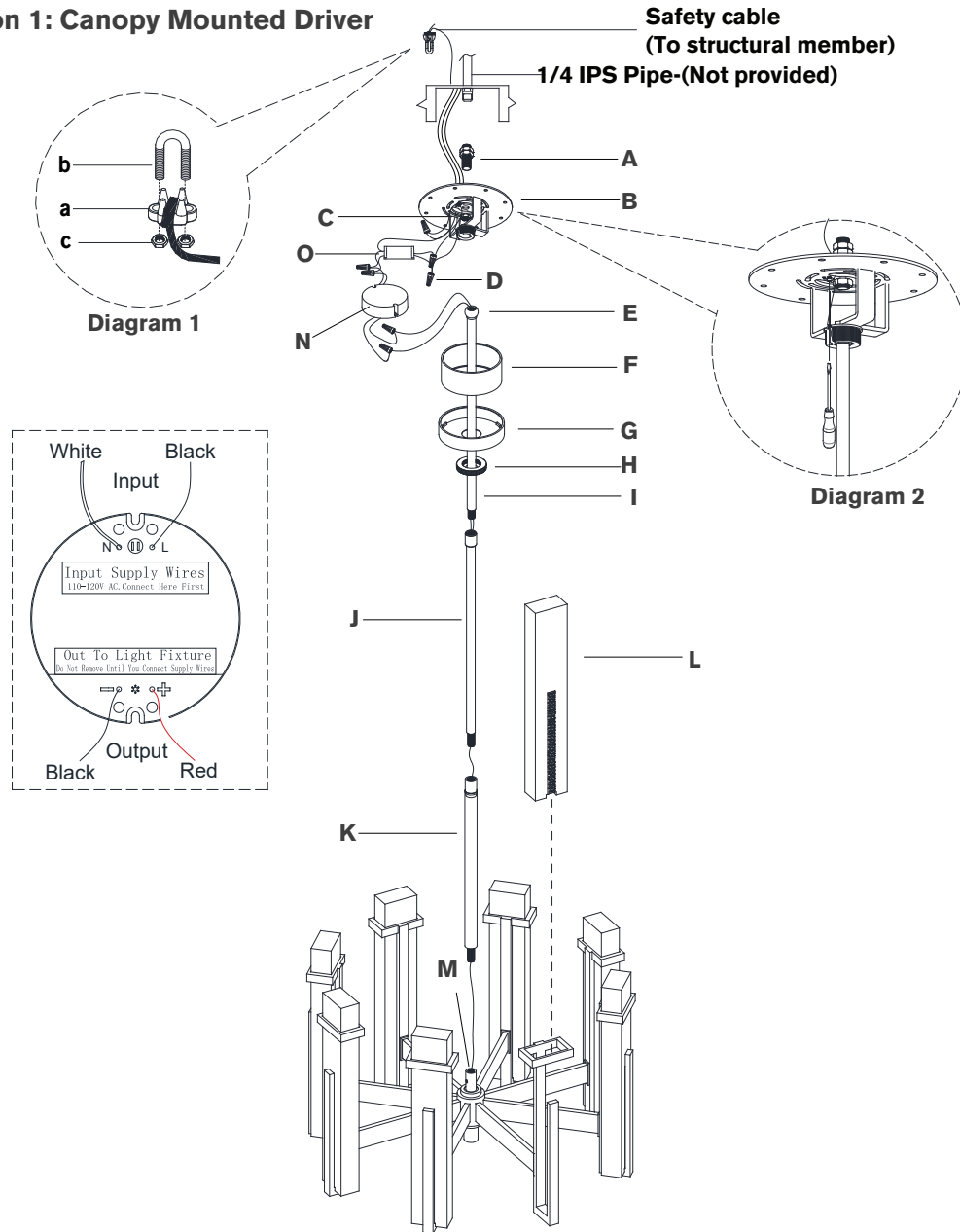
NOTICE:

This light fixture should be installed in accordance with all applicable, local installation codes, and by a person familiar with the construction and operation of it, as well as the hazards involved. Inspect item and contents carefully. If any damage or defect is found, do not install. Retain all packaging material until installation is complete and approved.

10. Run safety cable through junction box and around structural member of building. Wrap the safety cable around the saddle **(a)**, and secure with u-bolt **(b)** and hex nuts **(c)**. (See diagram 1)
11. Connect fixture neutral wire (black) to the driver output neutral wire (black) using wire nut **(D)**.
12. Connect fixture hot wire (red) to the driver output hot wire (red) using wire nut **(D)**.
13. Connect filter **(O)** neutral wire (white) to the driver **(N)** neutral wire (white) using wire nut **(D)**.
14. Connect filter **(O)** hot wire (black) to the driver **(N)** hot wire (black) using wire nut **(D)**.
15. Wrap filter **(O)** ground wire (green) around the green grounding screw (see diagram 1). Tighten. Continue filter ground wire and connect to supply ground wire (usually green or bare copper) using wire nut **(D)**.
NOTE: It is imperative that the fixture is grounded.
16. Connect filter **(O)** neutral wire (white) to the supply neutral wire (usually white) using wire nut **(D)**.
17. Connect filter **(O)** hot wire (black) to the supply hot wire (usually black) using wire nut **(D)**.
CAUTION: Do not reverse the hot and neutral connections.
18. Make sure all wire connections are tight, then carefully tuck into the junction box.

ASSEMBLY INSTRUCTIONS

Option 1: Canopy Mounted Driver



Malik Medium Chandelier

Item # S 5911

NOTICE:

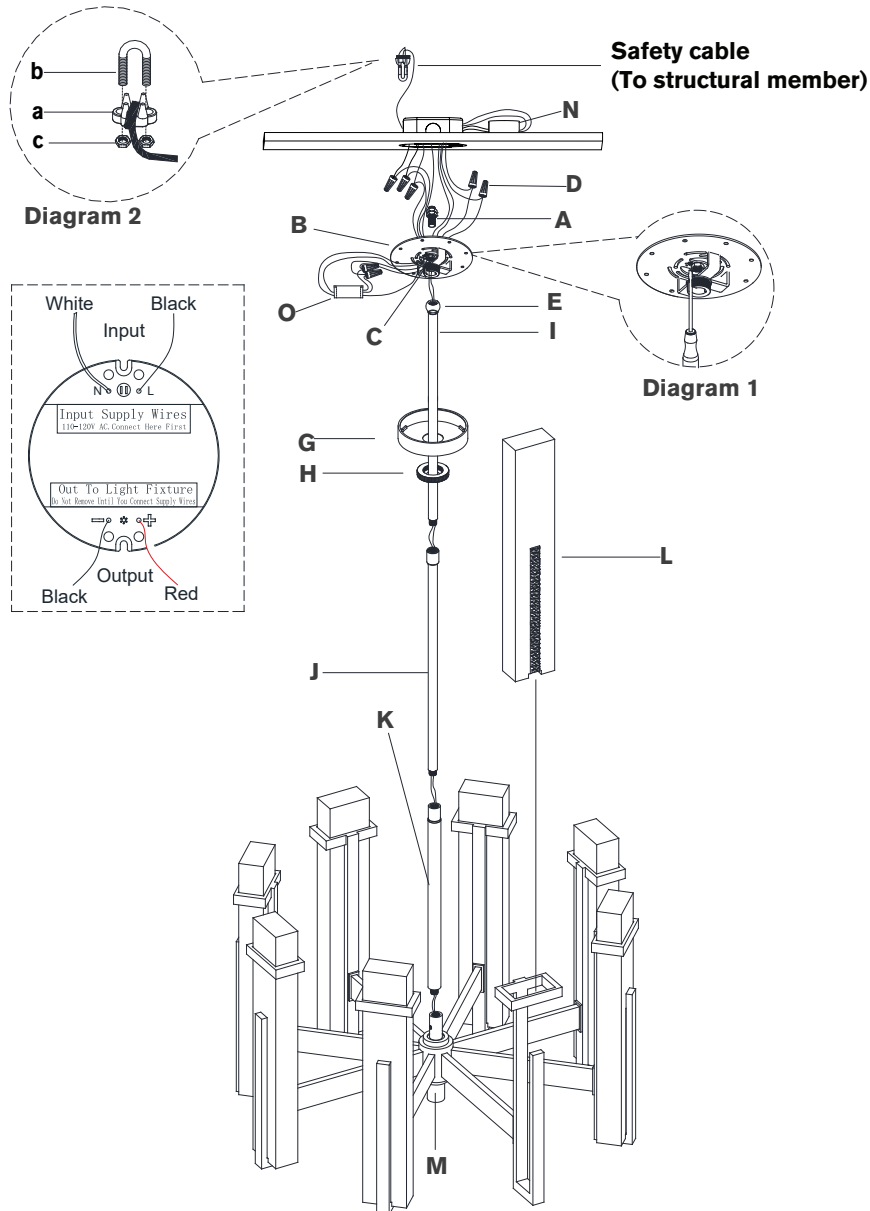
This light fixture should be installed in accordance with all applicable, local installation codes, and by a person familiar with the construction and operation of it, as well as the hazards involved. Inspect item and contents carefully. If any damage or defect is found, do not install. Retain all packaging material until installation is complete and approved.

19. Insert driver **(N)** and filter **(O)** into mounting plate bracket.
20. Install driver housing **(F)** and canopy **(G)** to mounting plate **(B)** and secure with collar ring **(H)**.
21. Insert shades **(L)** into fixture body.

Care Instructions: Clean only with a soft dry cloth or feather duster. Do not use abrasive or chemical agents.

ASSEMBLY INSTRUCTIONS

Option 2: Ceiling Mounted Driver



Malik Medium Chandelier

Item # S 5911

NOTICE:

This light fixture should be installed in accordance with all applicable, local installation codes, and by a person familiar with the construction and operation of it, as well as the hazards involved. Inspect item and contents carefully. If any damage or defect is found, do not install. Retain all packaging material until installation is complete and approved.

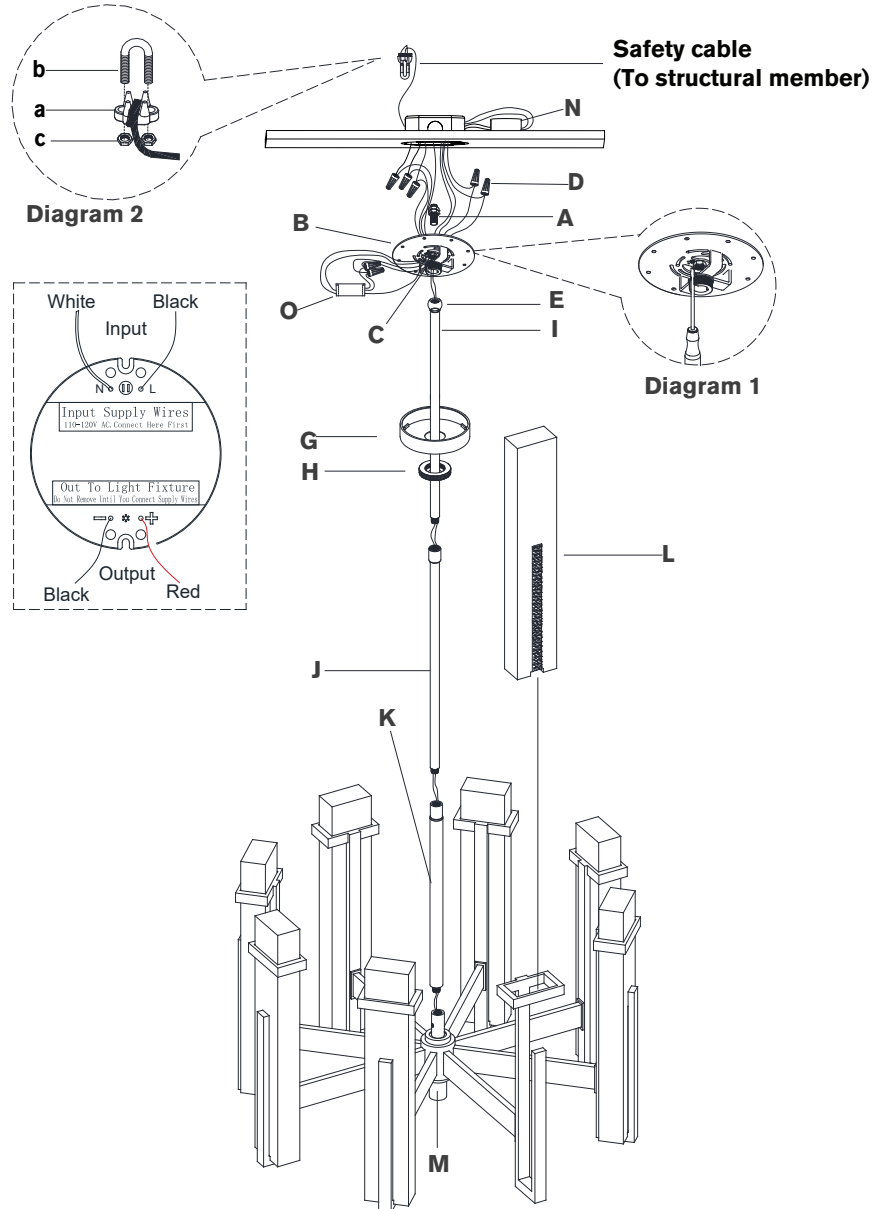
TOOLS REQUIRED (NOT INCLUDED):

Phillips Screwdriver	Slotted Screwdriver	Wire Cutters
Wire Strippers	Slip Joint Pliers	

1. Carefully remove all parts from the box. Place on a clean, soft surface.
2. It is recommended to install a 1/4 IPS threaded pipe, secured to a structural member of the building (not included). Then install threaded nipple (**A**) into receiver and tighten with wrench.
NOTE: Item must be supported independent of the junction box due to hanging weight.
3. Place driver (**N**) into ceiling and route all wires through one of the knockouts in the junction box.
4. Feed supply wires and driver wires through the slot of mounting plate (**B**), Then install mounting plate (**B**) to threaded nipple (**A**) and secure with hex nut (**C**).
5. Feed fixture wires and safety cable through stem (**K**) and connect to fixture body (**M**).
6. Feed fixture wires and safety cable through bottom rod (**J**) and connect to stem (**K**).
7. Continue feeding fixture wires and safety cable through collar ring (**H**), canopy (**G**), driver housing (**F**) and top rod (**I**).
8. Holding fixture upright, slide collar ring (**H**) and canopy (**G**) down stem (**K**) and rest on fixture body (**M**). Then connect top rod (**I**) to bottom rod (**J**).
NOTE: Slide components down slowly to avoid damages.

ASSEMBLY INSTRUCTIONS

Option 2: Ceiling Mounted Driver



Malik Medium Chandelier

Item # S 5911

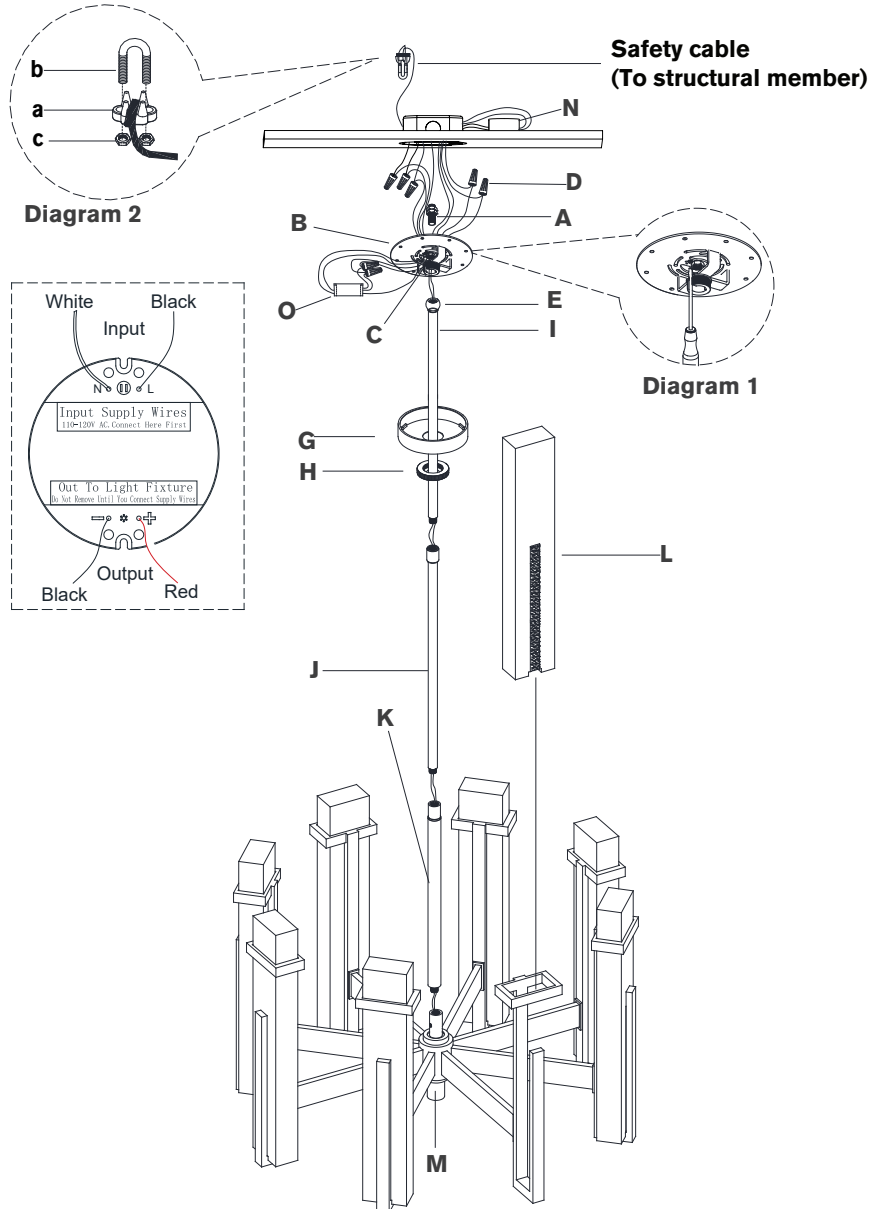
NOTICE:

This light fixture should be installed in accordance with all applicable, local installation codes, and by a person familiar with the construction and operation of it, as well as the hazards involved. Inspect item and contents carefully. If any damage or defect is found, do not install. Retain all packaging material until installation is complete and approved.

9. Hang fixture swivel ball **(E)** to the center of mounting plate **(C)**.
10. Cut excess wires, being sure to leave enough length to reach the junction box.
NOTE: : Separate black and red wires, and strip insulation on each 5/8".
11. Run safety cable through junction box and around structural member of building. Wrap the safety cable around the saddle **(a)**, and secure with u-bolt **(b)** and hex nuts **(c)**. (See diagram 1)
12. Connect fixture neutral wire (black) to the driver output neutral wire (black) using wire nut **(D)**.
13. Connect fixture hot wire (red) to the driver output hot wire (red) using wire nut **(D)**.
14. Connect filter **(O)** neutral wire (white) to the driver **(N)** neutral wire (white) using wire nut **(D)**.
15. Connect filter **(O)** hot wire (black) to the driver **(N)** hot wire (black) using wire nut **(D)**.
16. Wrap filter **(O)** ground wire (green) around the green grounding screw (see diagram 1). Tighten. Continue filter ground wire and connect to supply ground wire (usually green or bare copper) using wire nut **(D)**.
NOTE: It is imperative that the fixture is grounded.
17. Connect filter **(O)** neutral wire (white) to the supply neutral wire (usually white) using wire nut **(D)**.

ASSEMBLY INSTRUCTIONS

Option 2: Ceiling Mounted Driver



Malik Medium Chandelier

Item # S 5911

NOTICE:

This light fixture should be installed in accordance with all applicable, local installation codes, and by a person familiar with the construction and operation of it, as well as the hazards involved. Inspect item and contents carefully. If any damage or defect is found, do not install. Retain all packaging material until installation is complete and approved.

18. Connect filter (O) hot wire (black) to the supply hot wire (usually black) using wire nut (D).

CAUTION: Do not reverse the hot and neutral connections.

19. Insert filter (O) into mounting plate bracket.

20. Install canopy (G) to mounting plate (B) and secure with collar ring (H).

21. Insert shades (L) into fixture body.

Care Instructions: Clean only with a soft dry cloth or feather duster. Do not use abrasive or chemical agents.