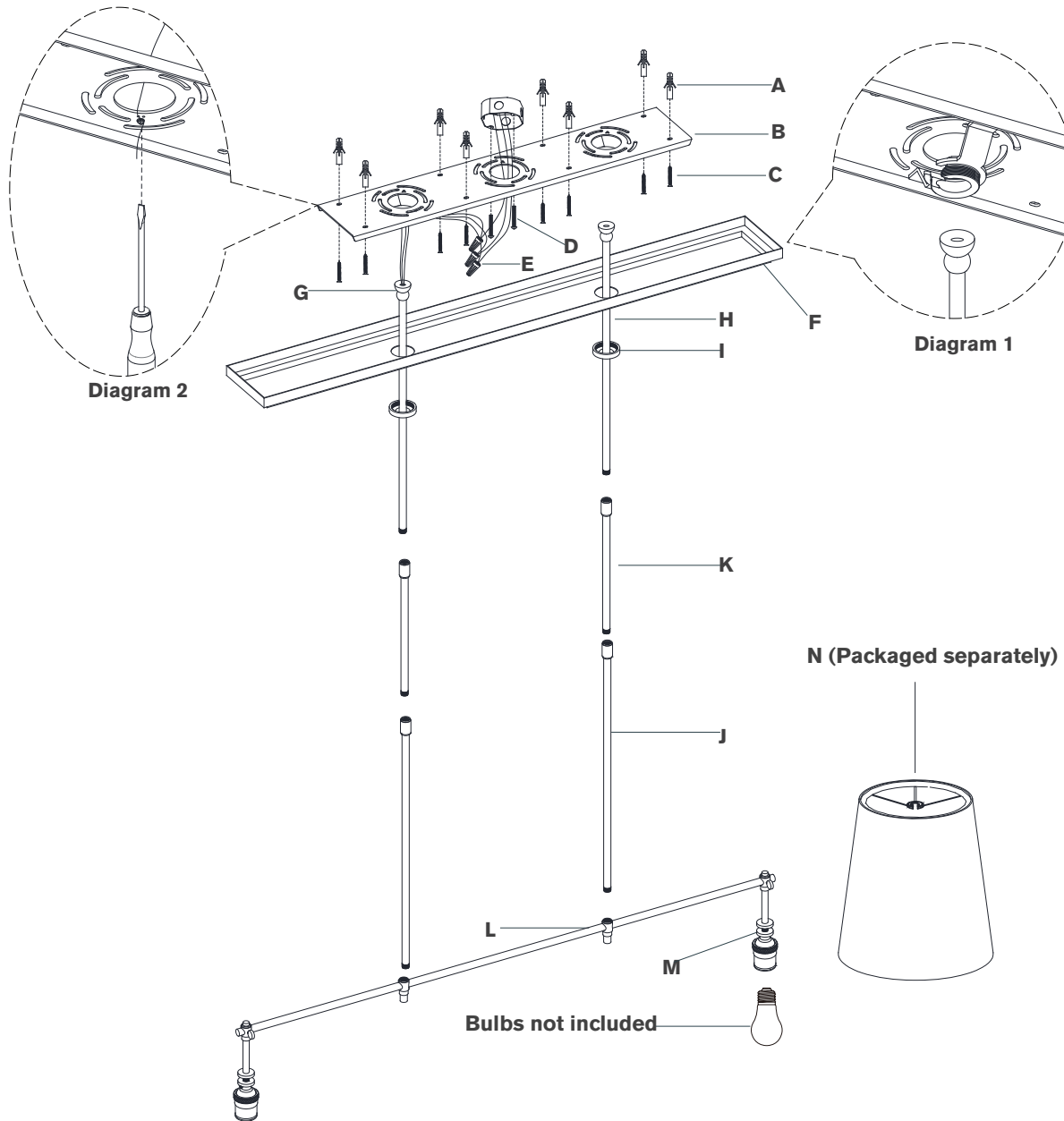


ASSEMBLY INSTRUCTIONS



Bryant Medium Billiard

Item # TOB 5047

NOTICE:

This light fixture should be installed in accordance with all applicable, local installation codes, and by a person familiar with the construction and operation of it, as well as the hazards involved. Inspect item and contents carefully. If any damage or defect is found, do not install. Retain all packaging material until installation is complete and approved.

TOOLS REQUIRED (NOT INCLUDED):

Phillips Screwdriver

Slotted Screwdriver

Wire Cutters

Slip Joint Pliers

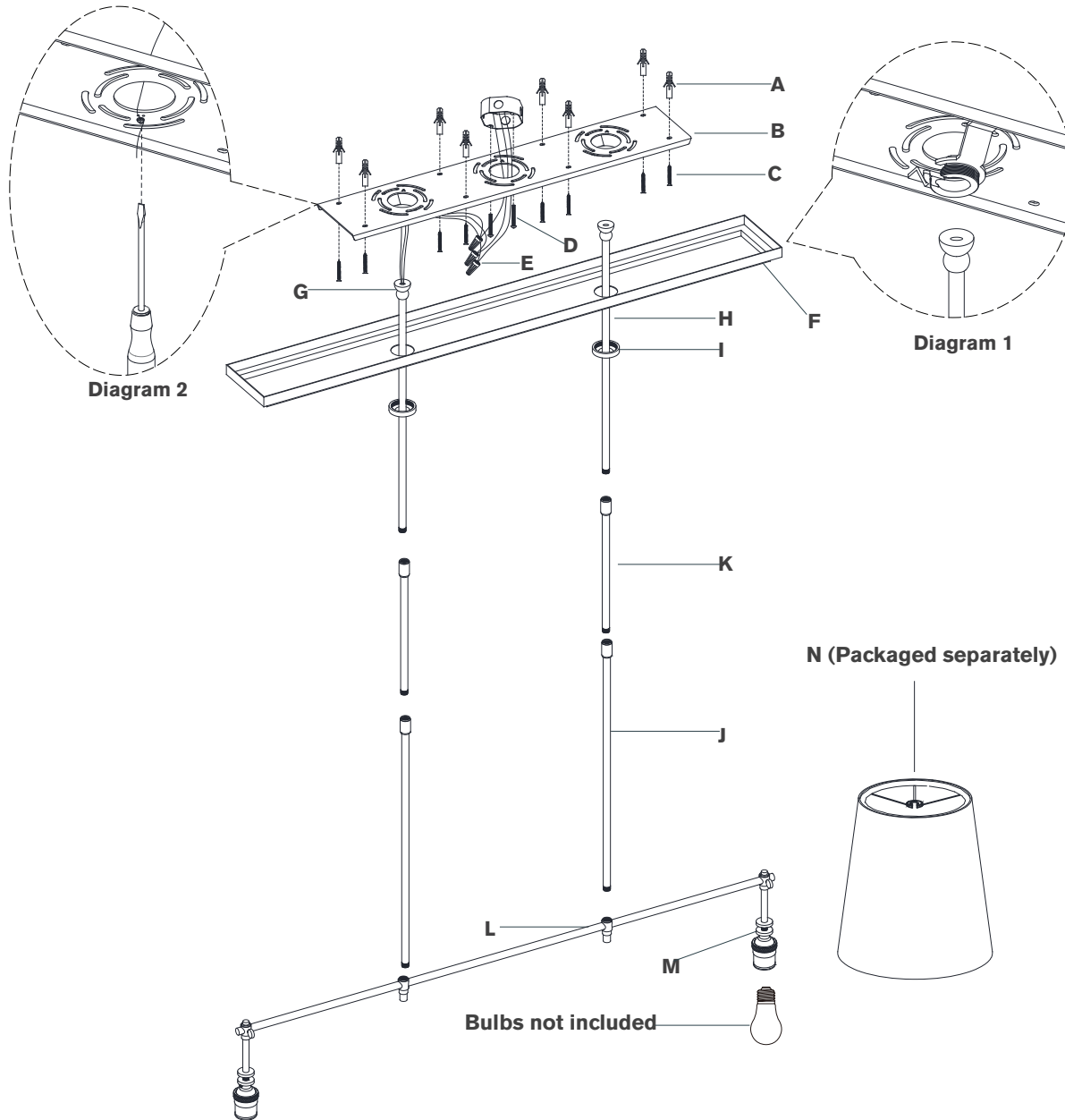
Wire Strippers

- Carefully remove all parts from the box. Place on a clean, soft surface.
- Remove mounting plate **(B)** from canopy **(F)** by removing collar rings **(I)**.
- Using the mounting plate **(B)** as a guide, line up with the junction box and mark anchor positions.
- Using a drill bit slightly smaller than the anchor, drill holes in the marked positions. Install anchors **(A)** into the holes using hammer.
- Install mounting plate **(B)** to junction box and secure with mounting screws **(D)**, then secure wood screws **(C)** to anchors **(A)**.
- Feed fixture wires through bottom rod **(J)**, then connect to fixture body **(L)**. Repeat for middle rods **(K)**, connecting to bottom rods **(J)**.
- Continue feeding fixture wires through top rods **(H)**, collar rings **(I)** and canopy **(F)**.
- Holding fixture upright, slide collar rings **(I)**, canopy **(F)** down rods and rest on fixture body **(L)**. Then connect top rods **(H)** to middle rods **(K)**.
NOTE: Slide components down slowly to avoid damages.
- Hang fixture swivel balls **(G)** to the brackets of mounting plate **(B)**. See diagram 1.
- Cut excess wires, being sure to leave enough to reach the junction box. Separate wires, and strip insulation on each 5/8".

VISUAL COMFORT



ASSEMBLY INSTRUCTIONS



Bryant Medium Billiard

Item # TOB 5047

NOTICE:

This light fixture should be installed in accordance with all applicable, local installation codes, and by a person familiar with the construction and operation of it, as well as the hazards involved. Inspect item and contents carefully. If any damage or defect is found, do not install. Retain all packaging material until installation is complete and approved.

11. Wrap fixture ground wire (bare copper) around the green grounding screw (see diagram 2). Tighten. Continue fixture ground wire and connect to supply ground wire (usually green or bare copper) using wire nut (E).

NOTE: It is imperative that the fixture is grounded.

12. Connect fixture neutral wire (white) to the supply neutral wire (usually white) using wire nut (E).

13. Connect fixture hot wire (black) to the supply hot wire (usually black) using wire nut (E).

CAUTION: Do not reverse the hot and neutral connections.

14. Make sure all wire connections are tight, then carefully tuck into the junction box.

15. Install canopy (F) to mounting plate (B) and secure with collar rings (I).

16. Install light bulbs into sockets.

17. Attach shades (N) to the top of socket cups and secure with knurled ring (M).

NOTE: If shade has additional packaging, carefully cut off from interior of shade to avoid damages.

Care Instructions: Clean only with a soft dry cloth or feather duster. Do not use abrasive or chemical agents.