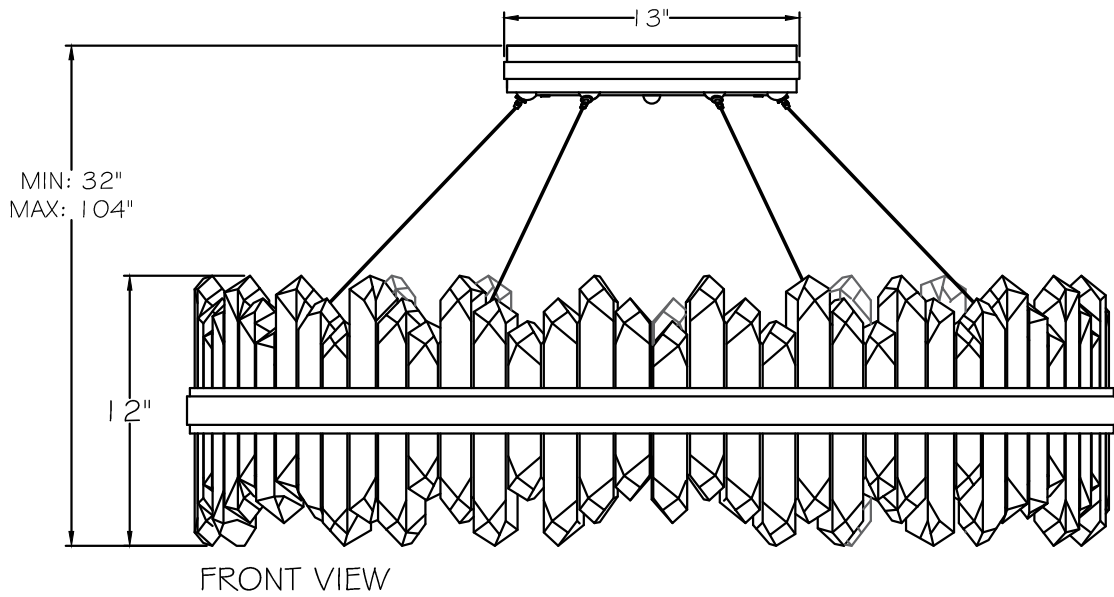
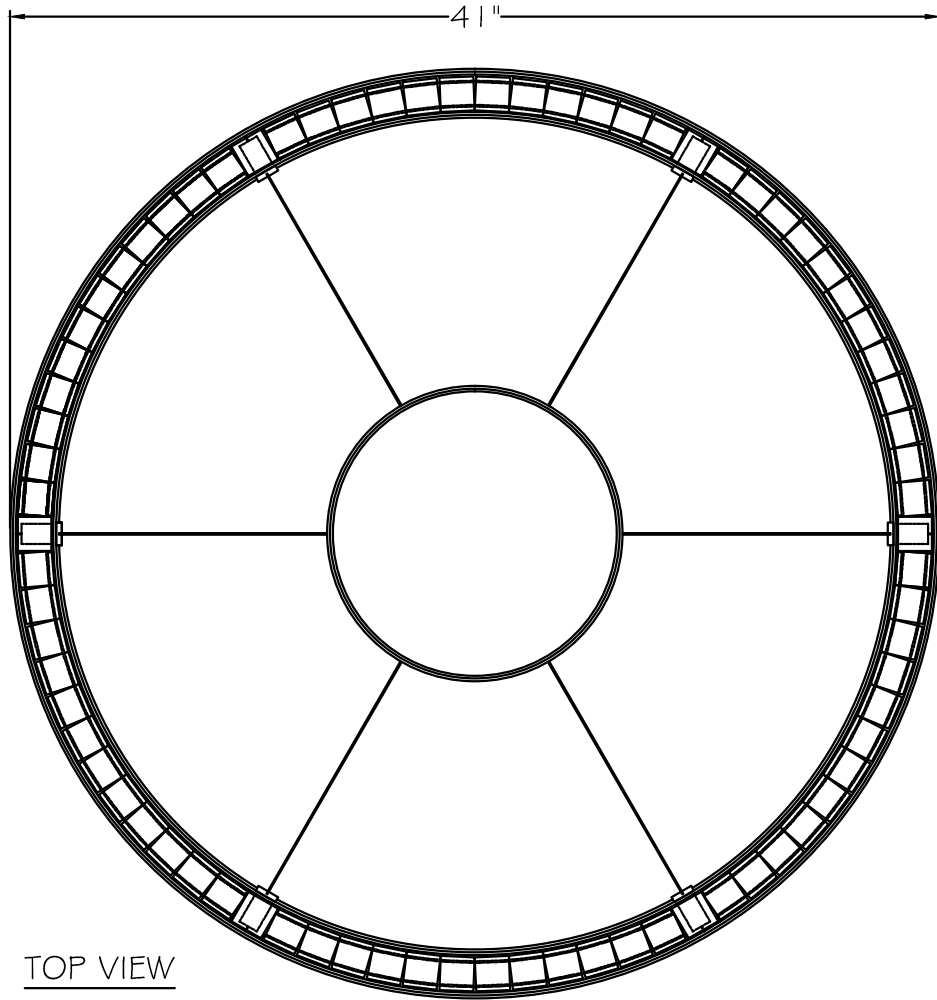


CUSTOMER REFERENCE DRAWING



STYLE CONFIGURATIONS:

-1ST (SILVER)

-2ST (GOLD)

-3ST (BRONZE)

FINE
ART
LAMPS®
EST. 1940

This drawing, specifications and the product depicted are the exclusive property of FINE ART LAMPS®. In compliance with US copyright and patent requirements, notice is hereby given that this document and the product depicted shall not be copied, altered or used in any manner without the expressed written consent of FINE ART LAMPS®.
www.fineartlamps.com

Tel:(305) 821-3850 Fax:(305) 821-1564

STYLE NUMBER:

882640

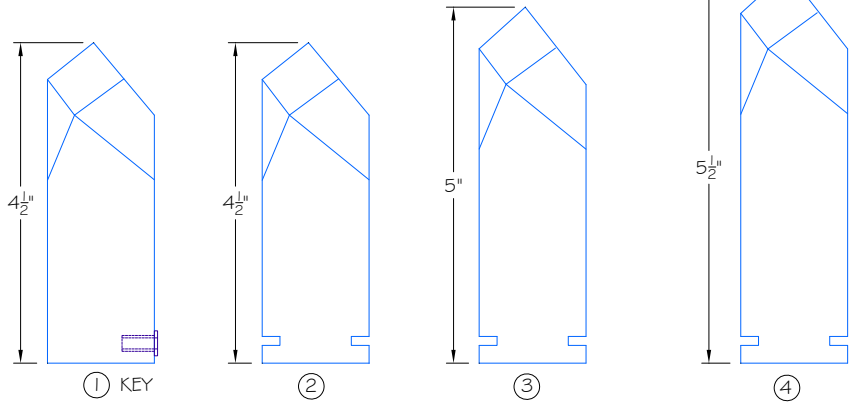
DATE:

9/9/2016

GLASS INSTRUCTION

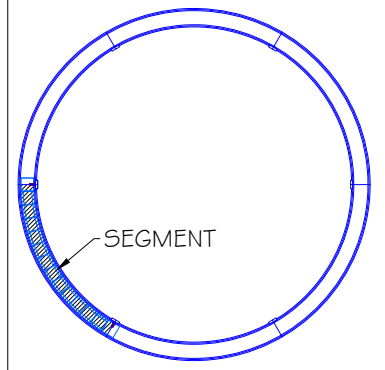
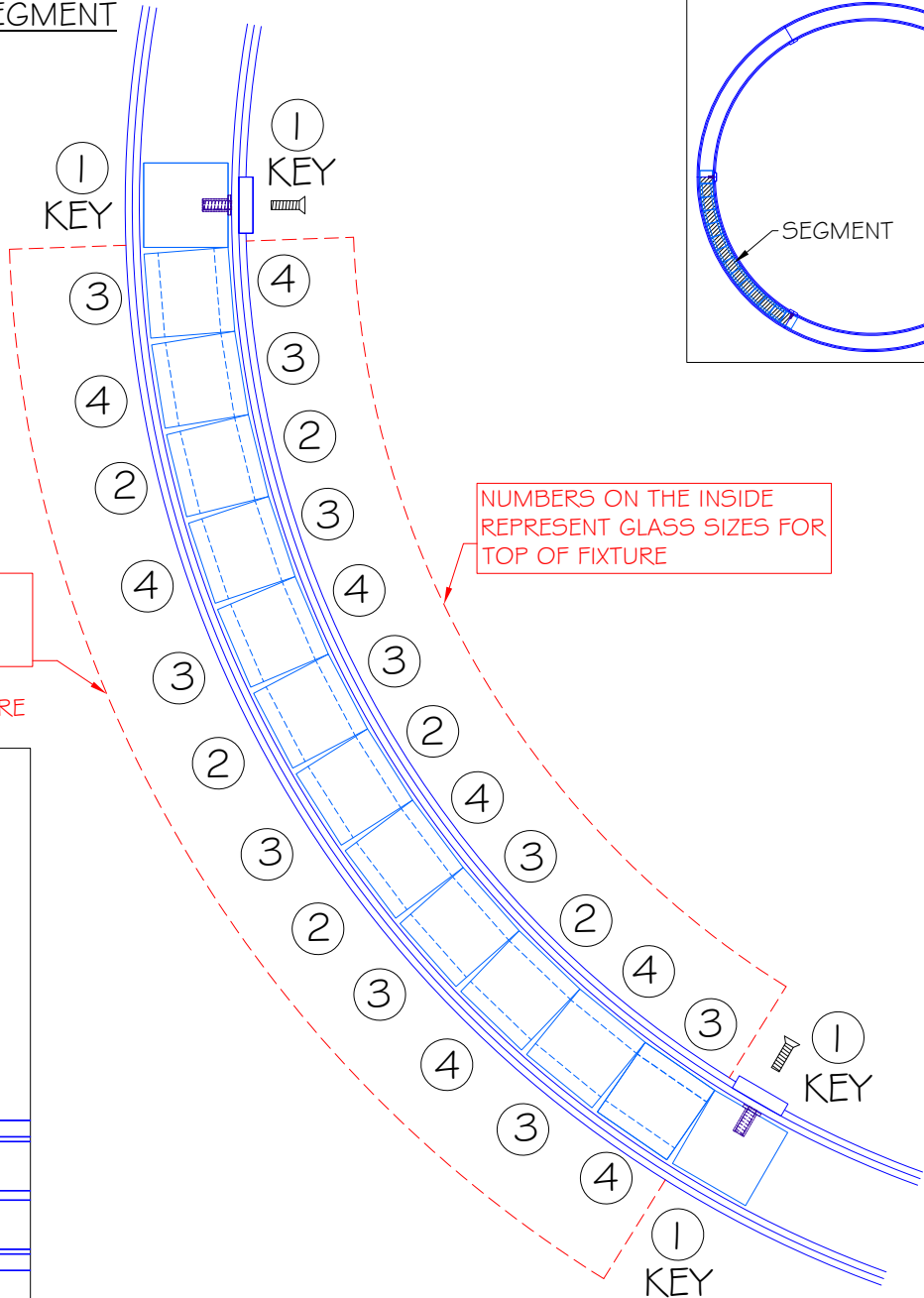
STYLE (S) ~~882640-1~~, 882640-2, 882640-3

(DIMENSIONS ARE FOR REFERENCE ONLY)



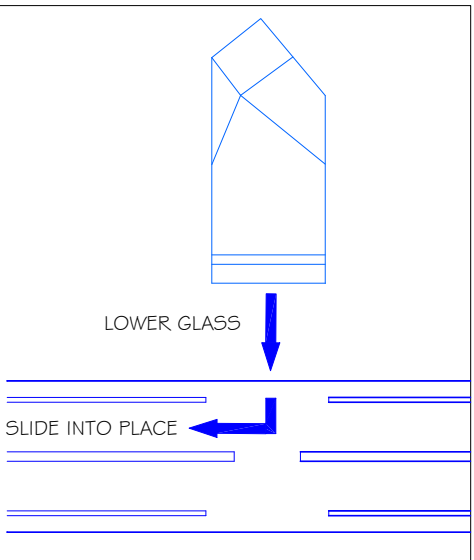
GLASS TYPE	QUANTITIES
① 4-1/2" GLASS BAR (KEY) #00901085	12
② 4-1/2" GLASS BAR #00901077	36
③ 5" GLASS BAR #00901076	60
④ 5-1/2" GLASS BAR #00901075	48
TOTAL:	156

GLASS ORIENTATION PER SEGMENT



NUMBERS ON THE
OUTSIDE
FOR
BOTTOM OF FIXTURE

NUMBERS ON THE INSIDE
REPRESENT GLASS SIZES FOR
TOP OF FIXTURE



This drawing and specifications are the exclusive property of BLUMBERG INDUSTRIES, INC. issued in strict confidence and shall not, without the prior written permission of BLUMBERG INDUSTRIES, INC., be produced, copied or used for any purpose whatsoever except the manufacture articles for FINE ART LAMPS.
5770-5772 Miami Lakes Dr. East / Miami Lakes, FL 33014
Ph:(305) 821-3850 FAX:(305) 821-1564

	00791217	REVISION: A
DATE: 9/7/16	DRAFTER: N/A	PAGE: 1 of 1